

**norma**

# RELOADING GUIDE

2006/1



# Norma gunpowder suitable for most calibers.



## NORMA 200 POWDER

Our fastest gunpowder is suitable for smaller cartridges such as 222 Rem and 22 Hornet.

It can also be used to shoot lightweight, low velocity bullets in medium calibers such as the 308 Win.

500 g/canister.



## NORMA 204 POWDER

A slow-burning powder that provides good performance and often quite good accuracy in calibers such as 6,5x55 and 30-06.

500 g/canister.



## NORMA 201 POWDER

Very suitable for calibers with small case volume in relation to the caliber such as 9,3x57 and 45-70. It's also the right choice for shooting lightweight bullets in medium sized cases such as 30-06.

500 g/canister.



## NORMA MRP POWDER

A very flexible "magnum powder". Suitable for a number of calibers with relatively large case volume in relation to the caliber.

Well-known for many years as a high performance powder in all magnum calibers.

500 g/canister.



## NORMA 202 POWDER

Specially developed to provide maximum performance in 308 Win.

A very useful powder for medium calibers such as 8x57, 9,3x62 and 9,3x74 R.

500 g/canister.



## NORMA MRP-2 POWDER

The perfect choice for over bore calibers such as 6,5-284, 6,5-06 and Weatherby cartridges.

500 g/canister.



## NORMA 203-B POWDER

Specifications differ slightly from the previous 203 powder.

A flexible powder that is useful from 22-250 to 358 Norma Mag. Very suitable for 6 mm Norma BR and 308 Win.

Loaded with heavier bullets.

500 g/canister.



## NORMA URP POWDER

A vigorous, mid-range powder. Excellent choice for medium sized cartridges such as 7x64 and 30-06.

500 g/canister.

**norma**

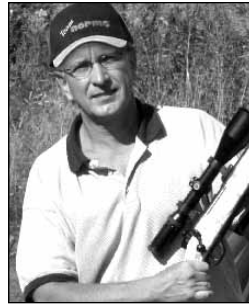
# Reloading Guide

2006/1

This is a paper-back version of the Norma Reloading Manual, which contains loading-data, all with Norma's powder.

Loading your own cartridges is a pleasant hobby and we are proud to have gained your confidence, in using our products.

If you would like more complete information, guidance and education for beginners as well as experienced reloaders, you should procure the Norma Reloading Manual – a reloading guide of 432 pages and with more than 2000 charges in 73 different calibers.



Torbjörn Lindskog - CEO

# Index to reloading data

222 Remington .....	6	300 Winchester Magnum- Light cases / 215 gr.....	23
223 Remington .....	6	300 Weatherby Magnum .....	24
224 Weatherby Magnum .....	6	30-378 Weatherby Mag.....	24
22-250 Remington.....	7	7.7 Japanese .....	24
220 Swift .....	7	303 British.....	25
5.6x52R (22 Savage HP).....	7	7.65 Argentine.....	25
6mm Norma BR.....	8	8x57 JRS.....	25
243 Winchester.....	8	8x57 JS.....	25
240 Weatherby Magnum .....	8	338-06 A-square .....	26
250 Savage.....	9	338 Winchester Magnum .....	26
257 Roberts .....	9	340 Weatherby Magnum .....	26
25-06 Remington.....	10	338 Lapua Magnum .....	27
257 Weatherby Magnum .....	10	338 Remington Ultra Magnum.....	27
6.5 Japanese Arisaka .....	10	338-378 Weatherby Magnum.....	27
6.5 Carcano .....	11	358 Norma Magnum .....	28
6.5x54 M-S .....	11	9.3x57 .....	28
260 Remington .....	12	9.3x62.....	28
6.5x55 Swedish Mauser.....	12	9.3x74R.....	29
6.5-284 Norma .....	13	375 Holland & Holland Magnum.....	29
264 Winchester Magnum .....	13	375 Weatherby Magnum .....	30
270 Winchester.....	14	375 Remington Ultra Magnum .....	30
270 Winchester Short Magnum.....	14	378 Weatherby Magnum .....	30
270 Weatherby Magnum .....	14	416 Remington Magnum .....	31
7x57R Mauser .....	15	416 Rigby.....	31
7x57 Mauser .....	15	416 Weatherby Magnum.....	31
7mm-08 Remington .....	16	404 Jeffery.....	31
7x65R.....	16	45-70 Government .....	32
284 Winchester.....	16	458 Winchester Magnum .....	32
280 Remington .....	17	460 Weatherby Magnum .....	32
7x64.....	17	470 Nitro Express.....	33
7mm Remington Magnum.....	18	505 Gibbs .....	33
7mm Weatherby Magnum.....	18		
7mm Shooting Times Westerner.....	19		
7mm Remington Ultra Mag.....	19		
30-30 Winchester .....	19		
7.5x55 Swiss .....	20		
7.62x54R (Russian) .....	20		
308 Winchester.....	20		
30-06 Springfield .....	21		
300 Winchester Short Magnum.....	21		
300 Holland & Holland Magnum .....	22		
308 Norma Magnum .....	22		
300 Winchester Magnum - Heavy cases / 270 gr...23			

## Abbreviations:

<b>FPS</b>	Feet per second
<b>SP</b>	Spitzer
<b>MK</b>	Match King
<b>FMJ</b>	Full Metal Jacket
<b>BST</b>	Ballistic Tip
<b>RN</b>	Round Nose
<b>HP</b>	Hollow Point
<b>RNSN</b>	Round Nose Soft Nose
<b>SPSN</b>	Soft Point Soft Nose

### Layout and printing 2006:

Set Communication AB • Arvika, Sweden  
All rights reserved

# Warning

## **Reloading metallic centerfire cartridges can be dangerous!**

Careless or incorrect handloading procedures can result in serious personal injury. Handloading should only be done after thorough and complete instruction. Since individual handloading procedures, operations and safety practices are beyond our control, we disclaim all liability for any damages which may result.

Reloading any cartridge requires a familiarity with safe, conservative reloading practices. When combined with personal discipline and attention to detail, such practices can help create a margin of safety for both the reloader and the shooter.

1. NEVER BEGIN LOADING WITH THE MAXIMUM POWDER CHARGE SHOWN IN THESE RELOADING DATA TABLES, REGARDLESS OF YOUR EXPERIENCE.
2. NEVER EXCEED MAXIMUM LOADS BECAUSE EXCESSIVE CHAMBER PRESSURE WILL RESULT.
3. DISCONTINUE FIRING AT THE FIRST SIGN OF EXCESSIVE PRESSURE OR UPON NOTICING A CHANGE IN THE REPORT OF THE FIREARM.

Lot-to-lot variations, design changes, or specification changes that are beyond our control may occur, regarding components mentioned in this book. To safely use this or any other guide or manual, you must keep yourself well informed on the technical progress of reloading. It is our belief that the information offered will result in safe operation if the proper equipment and components are employed in a reasonable manner. Because Norma Precision AB has no control over the actual components selected, the manner in which the components are assembled, or the condition or quality of firearms used, no responsibility, either expressed or implied is assumed for the use of this guide or for any other Norma product.

***In no event shall Norma Precision AB be liable for any damages resulting from the use of this book, whether in contract, tort or otherwise, including consequential damages.***

## 222 Remington

Barrel length: 24" Twist: 1-14"

Case: Norma

Primer: Winchester (WSR)

Bullet Powder	Start Chg. Grains	Velocity Fps	Max. Chg. Grains	Velocity Fps
<b>40 gr Nosler BST</b>			C.O.L.	2,126"
Norma 200	20.0	3261	<b>21.1</b>	<b>3474</b>
<b>50 gr Norma SP</b>			C.O.L.	2,087"
Norma 200	19.0	2914	<b>20.4</b>	<b>3169</b>
Norma 201	21.5	2890	<b>22.4</b>	<b>3071</b>
<b>50 gr Norma FMJ</b>			C.O.L.	2,106"
Norma 200	20.0	3107	<b>20.6</b>	<b>3179</b>
Norma 201	21.5	2881	<b>22.4</b>	<b>3064</b>
<b>52 gr Sierra MK</b>			C.O.L.	2,126"
Norma 200	19.0	2953	<b>19.9</b>	<b>3127</b>
Norma 201	20.5	2946	<b>21.6</b>	<b>3091</b>
<b>53 gr Norma SP</b>			C.O.L.	2,126"
Norma 200	19.6	2966	<b>20.6</b>	<b>3130</b>
Norma 201	21.0	2913	<b>21.9</b>	<b>3058</b>
<b>55 gr Nosler BST</b>			C.O.L.	2,126"
Norma 200	18.5	2864	<b>19.6</b>	<b>2989</b>
Norma 201	19.0	2769	<b>20.8</b>	<b>2940</b>
<b>60 gr Nosler Partition</b>			C.O.L.	2,059"
Norma 200	16.8	2595	<b>17.7</b>	<b>2779</b>
Norma 201	19.0	2707	<b>19.8</b>	<b>2769</b>
Norma 202	19.5	2694	<b>20.7</b>	<b>2874</b>
<b>62 gr Norma SP</b>			C.O.L.	2,106"
Norma 200	18.0	2733	<b>19.0</b>	<b>2861</b>
Norma 201	19.5	2782	<b>20.5</b>	<b>2812</b>
Norma 202	20.5	2812	<b>21.7</b>	<b>2887</b>

## 223 Remington

Barrel length: 24" Twist: 1-12"

Case: Norma

Primer: Winchester (WSR)

Bullet Powder	Start Chg. Grains	Velocity Fps	Max. Chg. Grains	Velocity Fps
<b>50 gr Hornady SP</b>			C.O.L.	2,244"
Norma 200	23.0	3288	<b>24.6</b>	<b>3494</b>
Norma 201	25.3	3360	<b>25.3</b>	<b>3360</b>
<b>52 gr Sierra MK</b>			C.O.L.	2,244"
Norma 200	23.0	3301	<b>24.0</b>	<b>3425</b>
Norma 201	25.1	3330	<b>25.1</b>	<b>3330</b>
<b>55 gr Hornady SP</b>			C.O.L.	2,205"
Norma 200	22.0	3061	<b>23.5</b>	<b>3287</b>
Norma 201	23.0	2887	<b>24.7</b>	<b>3235</b>
<b>55 gr Nosler BST</b>			C.O.L.	2,244"
Norma 200	22.0	3084	<b>23.5</b>	<b>3307</b>
Norma 201	23.0	2959	<b>24.7</b>	<b>3291</b>
<b>60 gr Hornady SP</b>			C.O.L.	2,244"
Norma 200	21.0	2923	<b>22.7</b>	<b>3173</b>
Norma 201	23.0	2877	<b>25.0</b>	<b>3176</b>
Norma 202	23.0	2871	<b>24.6</b>	<b>3176</b>
<b>69 gr Sierra MK</b>			C.O.L.	2,244"
Norma 201	23.0	2930	<b>24.0</b>	<b>2992</b>
Norma 202	23.0	2825	<b>24.0</b>	<b>2999</b>
Norma 203-B	24.0	2805	<b>25.7</b>	<b>2986</b>

## 224 Weatherby Magnum

Barrel length: 24" Twist: 1-14"

Case: Norma

Primer: Winchester Magnum (WLRM)

Bullet Powder	Start Chg. Grains	Velocity Fps	Max. Chg. Grains	Velocity Fps
<b>50 gr Hornady SP</b>			C.O.L.	2,323"
Norma 201	30.0	3478	<b>31.4</b>	<b>3668</b>
Norma 202	30.0	3432	<b>32.3</b>	<b>3727</b>
<b>55 gr Nosler BST</b>			C.O.L.	2,323"
Norma 201	29.0	3350	<b>30.4</b>	<b>3520</b>
Norma 202	29.0	3287	<b>30.8</b>	<b>3553</b>
<b>55 gr Hornady SP</b>			C.O.L.	2,323"
Norma 201	28.0	3176	<b>30.4</b>	<b>3484</b>
Norma 202	30.0	3307	<b>31.5</b>	<b>3537</b>
<b>60 gr Hornady SP</b>			C.O.L.	2,323"
Norma 201	28.0	3186	<b>29.9</b>	<b>3383</b>
Norma 202	29.0	3189	<b>30.6</b>	<b>3425</b>

## 22-250 Remington

Barrel length: 24" Twist: 1-14"

Case: Norma

Primer: Winchester Magnum (WLRM)

Bullet Powder	Start Chg. Grains	Velocity Fps	Max. Chg. Grains	Velocity Fps
<b>40 gr Nosler BST</b>			C.O.L.	2,346"
Norma 201	33.0	4000	<b>34.7</b>	<b>4111</b>
Norma 202	33.5	3911	<b>35.2</b>	<b>4101</b>
Norma 203-B	36.0	3934	<b>38.1</b>	<b>4137</b>
<b>50 gr Norma SP</b>			C.O.L.	2,303"
Norma 202	33.0	3632	<b>34.7</b>	<b>3783</b>
Norma 203-B	33.0	3599	<b>35.3</b>	<b>3760</b>
<b>52 gr Sierra MK</b>			C.O.L.	2,335"
Norma 202	33.0	3626	<b>34.7</b>	<b>3773</b>
Norma 203-B	33.0	3507	<b>35.0</b>	<b>3711</b>
<b>55 gr Nosler BST</b>			C.O.L.	2,346"
Norma 202	31.0	3445	<b>32.7</b>	<b>3553</b>
Norma 203-B	32.0	3425	<b>34.5</b>	<b>3602</b>
<b>60 gr Nosler Partition</b>			C.O.L.	2,323"
Norma 202	28.0	3238	<b>29.5</b>	<b>3284</b>
Norma 203-B	28.0	3196	<b>30.5</b>	<b>3297</b>
<b>62 gr Norma SP</b>			C.O.L.	2,323"
Norma 202	29.0	3166	<b>30.6</b>	<b>3323</b>
Norma 203-B	30.0	3192	<b>32.2</b>	<b>3350</b>

## 220 Swift

Barrel length: 24" Twist: 1-14"

Case: Norma

Primer: Winchester Magnum (WLRM)

Bullet Powder	Start Chg. Grains	Velocity Fps	Max. Chg. Grains	Velocity Fps
<b>40 gr Nosler BST</b>			C.O.L.	2,677"
Norma 202	36.0	3927	<b>38.1</b>	<b>4154</b>
Norma 203-B	38.0	3921	<b>39.8</b>	<b>4213</b>
<b>50 gr Norma SP</b>			C.O.L.	2,618"
Norma 202	34.0	3497	<b>37.1</b>	<b>3806</b>
Norma 203-B	36.0	3711	<b>38.6</b>	<b>3868</b>
<b>52 gr Sierra MK</b>			C.O.L.	2,618"
Norma 202	34.0	3556	<b>36.1</b>	<b>3753</b>
Norma 203-B	35.0	3586	<b>37.3</b>	<b>3793</b>
<b>55 gr Nosler BST</b>			C.O.L.	2,677"
Norma 202	33.0	3484	<b>35.0</b>	<b>3602</b>
Norma 203-B	35.0	3550	<b>37.0</b>	<b>3698</b>
<b>60 gr Nosler Partition</b>			C.O.L.	2,598"
Norma 202	31.0	3323	<b>32.9</b>	<b>3451</b>
Norma 203-B	32.0	3287	<b>34.2</b>	<b>3481</b>
<b>62 gr Norma SP</b>			C.O.L.	2,618"
Norma 202	32.0	3284	<b>33.5</b>	<b>3379</b>
Norma 203-B	33.0	3301	<b>35.0</b>	<b>3448</b>

## 5.6x52R (22 Savage HP)

Barrel length: 24" Twist: 1-10 $\frac{2}{3}$ "

Case: Norma

Primer: Winchester Magnum (WLRM)

Bullet Powder	Start Chg. Grains	Velocity Fps	Max. Chg. Grains	Velocity Fps
<b>70 gr Hornady SP</b>			C.O.L.	2,508"
Norma 202	23.0	2625	<b>24.5</b>	<b>2772</b>
Norma 203-B	23.0	2657	<b>24.1</b>	<b>2746</b>
Norma 204	26.5	2615	<b>26.5</b>	<b>2615</b>

## 6mm Norma BR

Barrel length: 24" Twist: 1-8"

Case: Norma

Primer: Winchester (WSR)

Bullet Powder	Start Chg. Grains	Velocity Fps	Max. Chg. Grains	Velocity Fps
<b>70 gr Sierra MK</b>			C.O.L.	2,067"
Norma 201	31.0	3314	<b>32.5</b>	<b>3429</b>
Norma 202	31.0	3229	<b>32.5</b>	<b>3429</b>
<b>70 gr Hornady SP</b>			C.O.L.	2,106"
Norma 201	30.0	3205	<b>31.7</b>	<b>3402</b>
Norma 202	31.0	3229	<b>32.5</b>	<b>3416</b>
<b>80 gr Nosler BST</b>			C.O.L.	2,244"
Norma 202	29.0	3022	<b>30.7</b>	<b>3176</b>
Norma 203-B	30.0	2910	<b>31.9</b>	<b>3120</b>
<b>80 gr Hornady FMJ</b>			C.O.L.	2,185"
Norma 202	29.0	3061	<b>30.8</b>	<b>3189</b>
Norma 203-B	30.0	2956	<b>31.7</b>	<b>3209</b>
<b>95 gr Nosler BST</b>			C.O.L.	2,224"
Norma 203-B	29.0	2740	<b>31.1</b>	<b>2956</b>
<b>100 gr Hornady BTSP</b>			C.O.L.	2,146"
Norma 203-B	29.0	2756	<b>30.5</b>	<b>2848</b>
<b>100 gr Nosler Partition</b>			C.O.L.	2,165"
Norma 203-B	29.0	2769	<b>30.0</b>	<b>2841</b>
<b>105 gr Berger LTB</b>			C.O.L.	2,343"
Norma 202	25.0	2585	<b>26.8</b>	<b>2710</b>
Norma 203-B	28.0	2684	<b>29.2</b>	<b>2799</b>
<b>107 gr Sierra MK</b>			C.O.L.	2,370"
Norma 202	25.0	2579	<b>26.8</b>	<b>2703</b>
Norma 203-B	28.0	2681	<b>29.2</b>	<b>2786</b>

## 243 Winchester

Barrel length: 24" Twist: 1-10"

Case: Norma

Primer: Winchester Magnum (WLRM)

Bullet Powder	Start Chg. Grains	Velocity Fps	Max. Chg. Grains	Velocity Fps
<b>80 gr Nosler BST</b>			C.O.L.	2,618"
Norma 204	42.0	3120	<b>44.5</b>	<b>3330</b>
Norma MRP	46.0	3169	<b>48.6</b>	<b>3379</b>
<b>80 gr Hornady FMJ</b>			C.O.L.	2,618"
Norma 204	42.0	3150	<b>44.2</b>	<b>3317</b>
Norma MRP	44.0	3114	<b>46.8</b>	<b>3343</b>
<b>95 gr Nosler Partition</b>			C.O.L.	2,618"
Norma 204	40.0	2953	<b>41.8</b>	<b>3087</b>
Norma MRP	43.0	3009	<b>46.0</b>	<b>3189</b>
Norma MRP-2	46.0	2963	<b>48.2</b>	<b>3077</b>
<b>100 gr Norma SP</b>			C.O.L.	2,618"
Norma 204	39.0	2844	<b>41.1</b>	<b>2986</b>
Norma MRP	43.0	2943	<b>45.0</b>	<b>3081</b>
Norma MRP-2	46.0	2877	<b>48.2</b>	<b>3012</b>

## 240 Weatherby Magnum

Barrel length: 24" Twist: 1-10".

Case: Norma

Primer: Winchester Magnum (WLRM)

Bullet Powder	Start Chg. Grains	Velocity Fps	Max. Chg. Grains	Velocity Fps
<b>70 gr Hornady SP</b>			C.O.L.	3,031"
Norma 204	52.0	3547	<b>54.4</b>	<b>3720</b>
<b>70 gr Sierra MK</b>			C.O.L.	2,992"
Norma 204	52.0	3550	<b>54.4</b>	<b>3734</b>
<b>80 gr Hornady FMJ</b>			C.O.L.	3,071"
Norma MRP	53.0	3373	<b>56.0</b>	<b>3524</b>
<b>95 gr Nosler BST</b>			C.O.L.	3,071"
Norma MRP	51.0	3097	<b>53.5</b>	<b>3294</b>
<b>100 gr Nosler Partition</b>			C.O.L.	3,071"
Norma MRP	50.0	3094	<b>53.0</b>	<b>3232</b>
Norma MRP-2	54.0	3107	<b>56.8</b>	<b>3251</b>
<b>100 gr Hornady SP</b>			C.O.L.	3,051"
Norma MRP	50.0	3025	<b>53.0</b>	<b>3228</b>
Norma MRP-2	53.0	3114	<b>56.0</b>	<b>3264</b>



## 250 Savage

Barrel length: 24" Twist: 1-14"

Case: Remington

Primer: Winchester Magnum (WLRM)

Bullet Powder	Start Chg. Grains	Velocity Fps	Max. Chg. Grains	Velocity Fps
<b>87 gr Hornady SP</b>			C.O.L.	2,500"
Norma 203-B	35.0	2923	<b>37.0</b>	<b>3130</b>
<b>100 gr Hornady SP</b>			C.O.L.	2,441"
Norma 203-B	34.0	2762	<b>36.0</b>	<b>2917</b>
<b>100 gr Nosler Partition</b>			C.O.L.	2,492"
Norma 203-B	33.0	2674	<b>34.5</b>	<b>2887</b>
<b>100 gr Nosler BST</b>			C.O.L.	2,492"
Norma 203-B	33.0	2654	<b>35.0</b>	<b>2838</b>
<b>115 gr Nosler BST</b>			C.O.L.	2,492"
Norma 203-B	31.0	2507	<b>33.0</b>	<b>2589</b>
Norma 204	38.0	2631	<b>39.7</b>	<b>2740</b>
<b>117 gr Hornady RN</b>			C.O.L.	2,421"
Norma 203-B	31.0	2523	<b>33.3</b>	<b>2608</b>
Norma 204	38.0	2638	<b>39.7</b>	<b>2756</b>

## 257 Roberts

Barrel length: 24" Twist: 1-10"

Case: Remington

Primer: Winchester Magnum (WLRM)

Bullet Powder	Start Chg. Grains	Velocity Fps	Max. Chg. Grains	Velocity Fps
<b>87 gr Hornady SP</b>			C.O.L.	2,756"
Norma 204	46.0	3051	<b>48.0</b>	<b>3241</b>
<b>100 gr Hornady SP</b>			C.O.L.	2,756"
Norma MRP	47.0	2835	<b>49.9</b>	<b>3028</b>
<b>100 gr Nosler Partition</b>			C.O.L.	2,756"
Norma MRP	47.0	2841	<b>49.9</b>	<b>3045</b>
<b>100 gr Nosler BST</b>			C.O.L.	2,756"
Norma MRP	47.0	2828	<b>49.9</b>	<b>3031</b>
<b>115 gr Nosler BST</b>			C.O.L.	2,764"
Norma MRP	45.0	2651	<b>47.6</b>	<b>2792</b>
Norma MRP-2	51.0	2753	<b>53.5</b>	<b>2871</b>
<b>117 gr Hornady RN</b>			C.O.L.	2,756"
Norma MRP	45.0	2615	<b>47.7</b>	<b>2799</b>
Norma MRP-2	50.0	2687	<b>53.2</b>	<b>2851</b>
<b>120 gr Nosler Partition</b>			C.O.L.	2,764"
Norma MRP	45.0	2622	<b>47.6</b>	<b>2785</b>
Norma MRP-2	51.0	2740	<b>53.2</b>	<b>2851</b>

## 25-06 Remington

Barrel length: 24" Twist: 1-10"

Case: Remington

Primer: Winchester Magnum (WLRM)

Bullet Powder	Start Chg. Grains	Velocity Fps	Max. Chg. Grains	Velocity Fps
<b>87 gr Hornady SP</b>			C.O.L.	3,150"
Norma 204	54.0	3432	<b>57.5</b>	<b>3586</b>
<b>100 gr Hornady SP</b>			C.O.L.	3,110"
Norma 204	51.0	3166	<b>54.7</b>	<b>3320</b>
Norma MRP	55.0	3140	<b>57.8</b>	<b>3356</b>
<b>100 gr Nosler Partition</b>			C.O.L.	3,209"
Norma 204	51.0	3163	<b>54.0</b>	<b>3337</b>
Norma MRP	54.0	3100	<b>56.6</b>	<b>3323</b>
<b>100 gr Nosler BST</b>			C.O.L.	3,209"
Norma 204	51.0	3173	<b>54.0</b>	<b>3327</b>
Norma MRP	54.0	3100	<b>56.6</b>	<b>3346</b>
<b>115 gr Nosler BST</b>			C.O.L.	3,228"
Norma MRP	51.0	2953	<b>53.6</b>	<b>3077</b>
Norma MRP-2	53.0	2943	<b>55.5</b>	<b>3084</b>
<b>117 gr Hornady RN</b>			C.O.L.	3,012"
Norma MRP	52.0	2950	<b>54.9</b>	<b>3110</b>
Norma MRP-2	56.0	2972	<b>59.2</b>	<b>3140</b>
<b>120 gr Nosler Partition</b>			C.O.L.	3,209"
Norma MRP	51.0	2946	<b>53.7</b>	<b>3064</b>
Norma MRP-2	53.0	2930	<b>55.8</b>	<b>3077</b>

## 257 Weatherby Magnum

Barrel length: 24" Twist: 1-10"

Case: Norma

Primer: Winchester Magnum (WLRM)

Bullet Powder	Start Chg. Grains	Velocity Fps	Max. Chg. Grains	Velocity Fps
<b>87 gr Hornady SP.</b>			C.O.L.	3,150"
Norma MRP	71.0	3340	<b>75.1</b>	<b>3760</b>
<b>100 gr Nosler Partition</b>			C.O.L.	3,150"
Norma MRP	69.0	3432	<b>72.7</b>	<b>3602</b>
Norma MRP-2	75.0	3363	<b>78.6</b>	<b>3615</b>
<b>100 gr Nosler BST</b>			C.O.L.	3,169"
Norma MRP	69.0	3428	<b>72.4</b>	<b>3609</b>
Norma MRP-2	74.0	3301	<b>78.2</b>	<b>3586</b>
<b>117 gr Hornady RN</b>			C.O.L.	3,079"
Norma MRP	66.0	3120	<b>69.8</b>	<b>3320</b>
Norma MRP-2	71.0	3087	<b>75.2</b>	<b>3327</b>
<b>120 gr Swift A-Frame</b>			C.O.L.	3,150"
Norma MRP	65.0	3087	<b>68.0</b>	<b>3238</b>
Norma MRP-2	70.0	3110	<b>73.7</b>	<b>3284</b>

## 6.5 Japanese Arisaka

Barrel length: 24" Twist: 1-8"

Case: Norma

Primer: Winchester Magnum (WLRM)

Bullet Powder	Start Chg. Grains	Velocity Fps	Max. Chg. Grains	Velocity Fps
<b>100 gr Norma HP</b>			C.O.L.	2,815"
Norma 203-B	33.0	2612	<b>34.5</b>	<b>2759</b>
<b>100 gr Nosler BST</b>			C.O.L.	2,756"
Norma 203-B	33.0	2608	<b>34.5</b>	<b>2756</b>
<b>120 gr Norma FMJ</b>			C.O.L.	2,756"
Norma 203-B	31.0	2425	<b>32.3</b>	<b>2523</b>
<b>129 gr Hornady SP</b>			C.O.L.	2,756"
Norma 203-B	28.0	2175	<b>30.2</b>	<b>2392</b>
<b>140 gr Hornady SP</b>			C.O.L.	2,756"
Norma 204	31.0	2100	<b>32.0</b>	<b>2211</b>
<b>140 gr Nosler Partition</b>			C.O.L.	2,854"
Norma 204	31.0	2054	<b>33.0</b>	<b>2260</b>
<b>156 gr Norma Oryx</b>			C.O.L.	2,756"
Norma 204	30.0	1903	<b>32.3</b>	<b>2139</b>
Norma MRP	34.0	2060	<b>35.5</b>	<b>2169</b>
<b>160 gr Hornady RN</b>			C.O.L.	2,815"
Norma 204	30.0	1873	<b>32.0</b>	<b>2106</b>
Norma MRP	33.0	1998	<b>35.3</b>	<b>2146</b>

## 6.5 Carcano

Barrel length: 24" Twist: 1-8"

Case: Norma

Primer: Winchester Magnum (WLRM)

Bullet Powder	Start Chg. Grains	Velocity Fps	Max. Chg. Grains	Velocity Fps
<b>100 gr Norma HP</b>			C.O.L.	2,835"
Norma 203-B	37.0	2762	<b>38.8</b>	<b>2930</b>
Norma 204	39.0	2697	<b>41.5</b>	<b>2904</b>
<b>100 gr Nosler BST</b>			C.O.L.	2,835"
Norma 203-B	37.0	2749	<b>38.8</b>	<b>2936</b>
Norma 204	39.0	2694	<b>41.5</b>	<b>2900</b>
<b>120 gr Norma FMJ</b>			C.O.L.	2,835"
Norma 204	37.0	2470	<b>39.4</b>	<b>2674</b>
<b>120 gr Swift A-Frame</b>			C.O.L.	2,835"
Norma 204	37.0	2457	<b>39.4</b>	<b>2657</b>
<b>129 gr Hornady SP</b>			C.O.L.	2,835"
Norma 204	36.0	2431	<b>37.8</b>	<b>2543</b>
<b>140 gr Nosler Partition</b>			C.O.L.	2,933"
Norma MRP	39.0	2388	<b>41.5</b>	<b>2493</b>
<b>140 gr Hornady SP</b>			C.O.L.	2,835"
Norma MRP	39.0	2369	<b>41.5</b>	<b>2464</b>
<b>156 gr Norma Vulkan</b>			C.O.L.	2,953"
Norma MRP	38.0	2156	<b>40.2</b>	<b>2349</b>
Norma MRP-2	42.0	2310	<b>44.5</b>	<b>2438</b>
<b>156 gr Norma Oryx</b>			C.O.L.	2,953"
Norma MRP	38.0	2172	<b>40.0</b>	<b>2336</b>
Norma MRP-2	42.0	2267	<b>44.4</b>	<b>2415</b>

## 6.5x54 M-S

Barrel length: 24" Twist: 1-8"

Case: Norma

Primer: Winchester Magnum (WLRM)

Bullet Powder	Start Chg. Grains	Velocity Fps	Max. Chg. Grains	Velocity Fps
<b>100 gr Norma HP</b>			C.O.L.	2,894"
Norma 204	43.0	2848	<b>44.7</b>	<b>3002</b>
<b>120 gr Norma FMJ</b>			C.O.L.	2,913"
Norma 204	41.0	2631	<b>43.0</b>	<b>2805</b>
<b>140 gr Hornady SP</b>			C.O.L.	2,894"
Norma 204	39.0	2467	<b>41.2</b>	<b>2585</b>
Norma MRP	42.0	2487	<b>44.3</b>	<b>2625</b>
<b>140 gr Nosler Partition</b>			C.O.L.	2,972"
Norma 204	39.0	2507	<b>41.1</b>	<b>2628</b>
Norma MRP	42.0	2507	<b>44.0</b>	<b>2677</b>
<b>156 gr Norma Vulkan</b>			C.O.L.	2,894"
Norma 204	37.6	2323	<b>39.4</b>	<b>2428</b>
Norma MRP	41.0	2398	<b>43.0</b>	<b>2510</b>
<b>156 gr Norma Oryx</b>			C.O.L.	2,894"
Norma 204	37.0	2300	<b>39.0</b>	<b>2408</b>
Norma MRP	41.0	2382	<b>42.7</b>	<b>2493</b>
<b>160 gr Hornady RN</b>			C.O.L.	2,933"
Norma 204	37.0	2277	<b>39.6</b>	<b>2405</b>
Norma MRP	40.0	2323	<b>42.3</b>	<b>2434</b>

## 260 Remington

Barrel length: 24" Twist: 1-9"

Case: Norma (308 Win)

Primer: Winchester Magnum (WLRM)

Bullet Powder	Start Chg. Grains	Velocity Fps	Max. Chg. Grains	Velocity Fps
<b>100 gr Nosler Partition</b>			C.O.L.	2,717"
Norma 203-B	40.0	3015	<b>42.5</b>	<b>3182</b>
<b>120 gr Nosler BST</b>			C.O.L.	2,756"
Norma 203-B	37.0	2713	<b>38.7</b>	<b>2851</b>
Norma 204	41.0	2651	<b>43.3</b>	<b>2848</b>
<b>120 gr Norma FMJ</b>			C.O.L.	2,756"
Norma 203-B	37.0	2762	<b>39.3</b>	<b>2887</b>
Norma 204	42.0	2726	<b>44.5</b>	<b>2920</b>
<b>120 gr Swift A-Frame</b>			C.O.L.	2,677"
Norma 203-B	37.0	2736	<b>38.8</b>	<b>2831</b>
Norma 204	41.0	2657	<b>43.7</b>	<b>2854</b>
<b>140 gr Swift A-Frame</b>			C.O.L.	2,756"
Norma 204	39.0	2533	<b>40.8</b>	<b>2644</b>
Norma MRP	42.0	2595	<b>43.8</b>	<b>2749</b>
<b>140 gr Hornady SP</b>			C.O.L.	2,756"
Norma 204	40.0	2523	<b>42.3</b>	<b>2667</b>
Norma MRP	44.0	2690	<b>46.0</b>	<b>2815</b>
<b>140 gr Nosler Partition</b>			C.O.L.	2,756"
Norma 204	39.0	2523	<b>41.0</b>	<b>2661</b>
Norma MRP	43.0	2684	<b>45.0</b>	<b>2789</b>
<b>156 gr Norma Vulkan</b>			C.O.L.	2,717"
Norma 204	38.0	2369	<b>39.9</b>	<b>2503</b>
Norma MRP	41.0	2523	<b>42.8</b>	<b>2618</b>
<b>156 gr Norma Oryx</b>			C.O.L.	2,717"
Norma 204	38.0	2379	<b>39.7</b>	<b>2500</b>
Norma MRP	41.0	2526	<b>42.5</b>	<b>2608</b>

## 6.5x55 Swedish Mauser

Barrel length: 24" Twist: 1-8 $\frac{2}{3}$ "

Case: Norma

Primer: Winchester Magnum (WLRM)

Bullet Powder	Start Chg. Grains	Velocity Fps	Max. Chg. Grains	Velocity Fps
<b>85 gr Sierra HP</b>			C.O.L.	2,756"
Norma 203-B	45.0	3196	<b>47.0</b>	<b>3409</b>
<b>100 gr Norma HP</b>			C.O.L.	2,854"
Norma 203-B	41.0	2904	<b>43.5</b>	<b>3150</b>
Norma 204	42.0	2625	<b>47.8</b>	<b>3114</b>
Norma MRP	49.0	2851	<b>51.5</b>	<b>3048</b>
<b>120 gr Norma FMJ</b>			C.O.L.	2,854"
Norma 203-B	36.0	2651	<b>42.0</b>	<b>2917</b>
Norma 204	44.0	2733	<b>46.3</b>	<b>2920</b>
Norma MRP	45.0	2516	<b>50.5</b>	<b>2923</b>
<b>120 gr Nosler BST</b>			C.O.L.	3,031"
Norma 203-B	39.0	2717	<b>41.0</b>	<b>2825</b>
Norma 204	44.0	2700	<b>46.5</b>	<b>2877</b>
Norma MRP	45.0	2484	<b>50.5</b>	<b>2887</b>
<b>120 gr Swift A-Frame</b>			C.O.L.	2,913"
Norma 203-B	38.0	2723	<b>40.6</b>	<b>2851</b>
Norma 204	44.0	2772	<b>46.3</b>	<b>2907</b>
Norma MRP	48.0	2795	<b>50.5</b>	<b>2927</b>
<b>129 gr Hornady SP</b>			C.O.L.	2,933"
Norma 203-B	39.0	2579	<b>41.2</b>	<b>2726</b>
Norma 204	43.0	2641	<b>45.1</b>	<b>2782</b>
Norma MRP	47.0	2657	<b>50.0</b>	<b>2828</b>
<b>130 gr Norma Match HP</b>			C.O.L.	3,051"
Norma 203-B	39.0	2592	<b>41.4</b>	<b>2756</b>
Norma 204	43.0	2661	<b>45.3</b>	<b>2776</b>
Norma MRP	45.0	2648	<b>47.7</b>	<b>2805</b>
<b>140 gr Swift A-Frame</b>			C.O.L.	2,992"
Norma 204	41.0	2503	<b>43.1</b>	<b>2638</b>
Norma MRP	45.0	2539	<b>48.0</b>	<b>2694</b>
<b>140 gr Hornady SP</b>			C.O.L.	2,992"
Norma 204	41.0	2497	<b>43.1</b>	<b>2635</b>
Norma MRP	45.0	2533	<b>48.1</b>	<b>2707</b>
<b>140 gr Nosler Partition</b>			C.O.L.	3,012"
Norma 204	41.0	2510	<b>43.1</b>	<b>2667</b>
Norma MRP	45.0	2552	<b>47.4</b>	<b>2690</b>
<b>156 gr Norma Alaska</b>			C.O.L.	3,071"
Norma 204	39.0	2316	<b>41.5</b>	<b>2480</b>
Norma MRP	44.0	2464	<b>46.0</b>	<b>2562</b>
Norma MRP-2	48.0	2487	<b>50.3</b>	<b>2615</b>

<b>156 gr Norma Oryx</b>			C.O.L.	2,913"
Norma 204	39.0	2307	<b>41.5</b>	<b>2474</b>
Norma MRP	43.0	2352	<b>45.4</b>	<b>2507</b>
Norma MRP-2	48.0	2493	<b>50.5</b>	<b>2605</b>

<b>156 gr Norma Vulkan</b>			C.O.L.	2,913"
Norma 204	40.0	2356	<b>41.7</b>	<b>2461</b>
Norma MRP	43.0	2428	<b>45.0</b>	<b>2497</b>
Norma MRP-2	47.0	2434	<b>50.0</b>	<b>2592</b>

<b>160 gr Hornady RN</b>			C.O.L.	2,992"
Norma 204	39.0	2247	<b>41.5</b>	<b>2438</b>
Norma MRP	44.0	2431	<b>46.0</b>	<b>2533</b>
Norma MRP-2	48.0	2438	<b>50.3</b>	<b>2579</b>

## 6.5-284 Norma

Barrel length: 24" Twist: 1-9"

Case: Norma

Primer: Winchester Magnum (WLRM)

Bullet Powder	Start Chg. Grains	Velocity Fps	Max. Chg. Grains	Velocity Fps
<b>100 gr Norma HP</b>			C.O.L.	2,953"
Norma MRP	55.0	3163	<b>58.5</b>	<b>3422</b>
<b>100 gr Nosler BST</b>			C.O.L.	2,992"
Norma MRP	55.0	3156	<b>58.5</b>	<b>3409</b>
<b>120 gr Norma FMJ</b>			C.O.L.	2,953"
Norma MRP	53.0	3041	<b>56.0</b>	<b>3192</b>
<b>120 gr Nosler BST</b>			C.O.L.	3,031"
Norma MRP	52.0	2982	<b>55.1</b>	<b>3156</b>
<b>130 gr Norma Match HP</b>			C.O.L.	3,071"
Norma MRP	52.0	2910	<b>54.5</b>	<b>3058</b>
Norma MRP-2	56.0	2969	<b>58.7</b>	<b>3123</b>
<b>140 gr Hornady SP</b>			C.O.L.	2,972"
Norma MRP	50.0	2749	<b>53.0</b>	<b>2897</b>
Norma MRP-2	54.0	2844	<b>56.4</b>	<b>2930</b>
<b>140 gr Nosler Partition</b>			C.O.L.	3,031"
Norma MRP	49.0	2749	<b>51.5</b>	<b>2887</b>
Norma MRP-2	51.0	2808	<b>54.0</b>	<b>2910</b>
<b>140 gr Sierra Super Match</b>			C.O.L.	3,083"
Norma MRP	49.0	2766	<b>51.5</b>	<b>2904</b>
Norma MRP-2	51.0	2828	<b>54.5</b>	<b>2920</b>
<b>156 gr Norma Oryx</b>			C.O.L.	2,913"
Norma MRP	46.0	2599	<b>52.0</b>	<b>2864</b>
Norma MRP-2	51.0	2802	<b>54.0</b>	<b>2907</b>

## 264 Winchester Magnum

Barrel length: 24" Twist: 1-9"

Case: Winchester

Primer: Winchester Magnum (WLRM)

Bullet Powder	Start Chg. Grains	Velocity Fps	Max. Chg. Grains	Velocity Fps
<b>120 gr Norma FMJ</b>			C.O.L.	3,268"
Norma MRP	63.0	3209	<b>66.4</b>	<b>3356</b>
<b>120 gr Nosler BST</b>			C.O.L.	3,327"
Norma MRP	63.0	3212	<b>66.2</b>	<b>3353</b>
<b>120 gr Swift A-Frame</b>			C.O.L.	3,248"
Norma MRP	61.0	3160	<b>64.5</b>	<b>3320</b>
<b>140 gr Nosler Partition</b>			C.O.L.	3,209"
Norma MRP	57.0	2884	<b>60.5</b>	<b>3077</b>
<b>140 gr Swift A-Frame</b>			C.O.L.	3,169"
Norma MRP	57.0	2874	<b>60.3</b>	<b>3064</b>
<b>140 gr Hornady SP</b>			C.O.L.	3,189"
Norma MRP	59.0	2936	<b>62.6</b>	<b>3077</b>
Norma MRP-2	62.0	2989	<b>64.9</b>	<b>3087</b>
<b>156 gr Norma Oryx</b>			C.O.L.	3,150"
Norma MRP	55.0	2759	<b>57.8</b>	<b>2887</b>
Norma MRP-2	58.0	2769	<b>61.0</b>	<b>2897</b>
<b>160 gr Hornady RN</b>			C.O.L.	3,150"
Norma MRP	56.0	2710	<b>59.5</b>	<b>2838</b>
Norma MRP-2	59.0	2723	<b>62.8</b>	<b>2874</b>

## 270 Winchester

Barrel length: 24" Twist: 1-10"

Case: Norma

Primer: Winchester Magnum (WLRM)

Bullet Powder	Start Chg. Grains	Velocity Fps	Max. Chg. Grains	Velocity Fps
<b>130 gr Norma SP</b>			C.O.L.	3,150"
Norma 204	54.0	3025	<b>56.2</b>	<b>3117</b>
Norma MRP	55.0	2815	<b>58.2</b>	<b>3094</b>
<b>130 gr Nosler Partition</b>			C.O.L.	3,209"
Norma 204	54.0	3035	<b>56.4</b>	<b>3137</b>
Norma MRP	55.0	2844	<b>58.2</b>	<b>3071</b>
<b>140 gr Swift A-Frame</b>			C.O.L.	3,209"
Norma 204	50.0	2792	<b>52.9</b>	<b>2999</b>
Norma MRP	54.0	2861	<b>57.2</b>	<b>2999</b>
<b>140 gr Hornady BTSP</b>			C.O.L.	3,220"
Norma 204	50.0	2805	<b>52.9</b>	<b>2995</b>
Norma MRP	54.0	2881	<b>57.2</b>	<b>3012</b>
<b>140 gr Nosler BST</b>			C.O.L.	3,287"
Norma 204	50.0	2786	<b>52.9</b>	<b>2972</b>
Norma MRP	54.0	2864	<b>57.2</b>	<b>2986</b>
<b>150 gr Sierra GK</b>			C.O.L.	3,228"
Norma 204	50.0	2733	<b>53.0</b>	<b>2887</b>
Norma MRP	54.0	2822	<b>57.6</b>	<b>2999</b>
<b>150 gr Norma SP</b>			C.O.L.	3,228"
Norma 204	50.0	2730	<b>53.0</b>	<b>2874</b>
Norma MRP	54.0	2795	<b>56.7</b>	<b>2956</b>
<b>150 gr Nosler Partition</b>			C.O.L.	3,268"
Norma 204	50.0	2726	<b>53.0</b>	<b>2874</b>
Norma MRP	54.0	2835	<b>56.7</b>	<b>3002</b>

## 270 Win. Short Magnum

Barrel length: 24" Twist: 1-10"

Case: Norma

Primer: Winchester Magnum (WLRM)

Bullet Powder	Start Chg. Grains	Velocity Fps	Max. Chg. Grains	Velocity Fps
<b>130 gr Nosler BST</b>			C.O.L.	2,795"
Norma 204	58.0	3117	<b>61.7</b>	<b>3294</b>
<b>130 gr Nosler Partition</b>			C.O.L.	2,756"
Norma 204	58.0	3104	<b>61.7</b>	<b>3287</b>
<b>140 gr Nosler BST</b>			C.O.L.	2,768"
Norma 204	57.0	3002	<b>60.2</b>	<b>3163</b>
<b>150 gr Hornady SP</b>			C.O.L.	2,685"
Norma 204	56.0	2920	<b>59.5</b>	<b>3077</b>
Norma MRP	63.0	3054	<b>65.8</b>	<b>3182</b>

## 270 Weatherby Magnum

Barrel length: 24" Twist: 1-10"

Case: Norma

Primer: Winchester Magnum (WLRM)

Bullet Powder	Start Chg. Grains	Velocity Fps	Max. Chg. Grains	Velocity Fps
<b>100 gr Hornady SP</b>			C.O.L.	3,130"
Norma 204	70.0	3435	<b>73.6</b>	<b>3638</b>
<b>130 gr Hornady SP</b>			C.O.L.	3,228"
Norma MRP	70.0	3205	<b>74.5</b>	<b>3373</b>
<b>130 gr Sierra GK</b>			C.O.L.	3,268"
Norma MRP	70.0	3123	<b>73.2</b>	<b>3350</b>
<b>140 gr Hornady BTSP</b>			C.O.L.	3,248"
Norma MRP	68.0	3068	<b>72.0</b>	<b>3241</b>
Norma MRP-2	74.0	3038	<b>78.0</b>	<b>3261</b>
<b>140 gr Swift A-Frame</b>			C.O.L.	3,268"
Norma MRP	68.0	3064	<b>72.0</b>	<b>3238</b>
Norma MRP-2	74.0	3051	<b>78.0</b>	<b>3248</b>
<b>140 gr Nosler BST</b>			C.O.L.	3,287"
Norma MRP	67.0	3061	<b>70.5</b>	<b>3202</b>
Norma MRP-2	72.0	3012	<b>76.0</b>	<b>3182</b>
<b>150 gr Nosler Partition</b>			C.O.L.	3,287"
Norma MRP	66.0	2969	<b>69.6</b>	<b>3123</b>
Norma MRP-2	72.0	2969	<b>75.9</b>	<b>3133</b>
<b>150 gr Hornady SP</b>			C.O.L.	3,189"
Norma MRP	66.0	2933	<b>69.2</b>	<b>3081</b>
Norma MRP-2	70.0	2940	<b>74.0</b>	<b>3074</b>

## 7x57R Mauser

Barrel length: 24" Twist: 1-8 $\frac{2}{3}$ "

Case: Norma

Primer: Winchester Magnum (WLRM)

Bullet Powder	Start Chg. Grains	Velocity Fps	Max. Chg. Grains	Velocity Fps
<b>120 gr Hornady SP</b>			C.O.L.	2,913"
Norma 204	46.0	2740	<b>48.6</b>	<b>2871</b>
<b>139 gr Hornady SP</b>			C.O.L.	2,953"
Norma 203-B	40.0	2605	<b>42.3</b>	<b>2720</b>
Norma 204	45.0	2595	<b>47.3</b>	<b>2700</b>
<b>150 gr Norma FMJ</b>			C.O.L.	3,031"
Norma 203-B	40.0	2569	<b>41.9</b>	<b>2638</b>
Norma 204	44.0	2448	<b>46.0</b>	<b>2644</b>
<b>150 gr Nosler BST</b>			C.O.L.	3,031"
Norma 203-B	39.0	2539	<b>41.0</b>	<b>2625</b>
Norma 204	42.0	2464	<b>44.2</b>	<b>2562</b>
<b>154 gr Hornady SP</b>			C.O.L.	3,012"
Norma 204	43.0	2448	<b>45.0</b>	<b>2556</b>
Norma MRP	46.0	2310	<b>48.6</b>	<b>2530</b>
<b>156 gr Norma Oryx</b>			C.O.L.	2,913"
Norma 204	42.0	2372	<b>44.3</b>	<b>2490</b>
Norma MRP	46.0	2385	<b>48.4</b>	<b>2513</b>
<b>160 gr Swift A-Frame</b>			C.O.L.	2,992"
Norma 204	41.0	2339	<b>43.7</b>	<b>2457</b>
Norma MRP	45.0	2333	<b>47.8</b>	<b>2500</b>
<b>170 gr Norma Vulkan</b>			C.O.L.	2,992"
Norma 204	42.0	2313	<b>44.0</b>	<b>2408</b>
Norma MRP	46.0	2297	<b>48.4</b>	<b>2464</b>
<b>175 gr Hornady RN</b>			C.O.L.	3,012"
Norma 204	42.0	2307	<b>44.0</b>	<b>2395</b>
Norma MRP	46.0	2280	<b>48.2</b>	<b>2415</b>

## 7x57 Mauser

Barrel length: 24" Twist: 1-8 $\frac{2}{3}$ "

Case: Norma

Primer: Winchester Magnum (WLRM)

Bullet Powder	Start Chg. Grains	Velocity Fps	Max. Chg. Grains	Velocity Fps
<b>120 gr Hornady SP</b>			C.O.L.	2,953"
Norma 203-B	44.0	2828	<b>47.0</b>	<b>3038</b>
Norma 204	49.0	2841	<b>52.0</b>	<b>2986</b>
<b>120 gr Nosler BST</b>			C.O.L.	3,012"
Norma 203-B	43.5	2904	<b>45.8</b>	<b>3045</b>
Norma 204	49.0	2871	<b>52.0</b>	<b>3025</b>
<b>139 gr Hornady SP</b>			C.O.L.	2,953"
Norma 203-B	42.0	2717	<b>44.7</b>	<b>2890</b>
Norma 204	47.0	2700	<b>49.5</b>	<b>2822</b>
<b>150 gr Nosler BST</b>			C.O.L.	3,012"
Norma 204	45.0	2497	<b>47.2</b>	<b>2700</b>
Norma MRP	47.0	2510	<b>49.4</b>	<b>2641</b>
<b>150 gr Norma FMJ</b>			C.O.L.	3,020"
Norma 204	46.0	2622	<b>49.0</b>	<b>2746</b>
Norma MRP	47.0	2516	<b>49.4</b>	<b>2703</b>
<b>154 gr Hornady SP</b>			C.O.L.	3,012"
Norma 204	45.0	2461	<b>47.2</b>	<b>2657</b>
Norma MRP	47.0	2477	<b>49.4</b>	<b>2621</b>
<b>156 gr Norma Oryx</b>			C.O.L.	2,913"
Norma 204	44.0	2497	<b>46.2</b>	<b>2651</b>
Norma MRP	47.0	2438	<b>49.4</b>	<b>2572</b>
<b>160 gr Swift A-Frame</b>			C.O.L.	2,968"
Norma 204	44.0	2448	<b>46.3</b>	<b>2556</b>
Norma MRP	47.0	2310	<b>49.4</b>	<b>2530</b>
<b>170 gr Vulkan</b>			C.O.L.	2,992"
Norma 204	43.0	2448	<b>46.0</b>	<b>2556</b>
Norma MRP	47.0	2310	<b>49.4</b>	<b>2530</b>

## 7mm-08 Remington

Barrel length: 24" Twist: 1-9 $\frac{1}{2}$ "

Case: Norma (308 Win)

Primer: Winchester Magnum (WLRM)

Bullet Powder	Start Chg. Grains	Velocity Fps	Max. Chg. Grains	Velocity Fps
<b>120 gr Nosler BST</b>			C.O.L.	2,776"
Norma 203-B	42.0	2907	<b>44.0</b>	<b>3077</b>
<b>120 gr Hornady SP</b>			C.O.L.	2,776"
Norma 202	41.0	2917	<b>43.1</b>	<b>3061</b>
Norma 203-B	41.0	2910	<b>43.5</b>	<b>3048</b>
<b>139 gr Hornady SP</b>			C.O.L.	2,795"
Norma 202	39.0	2720	<b>40.7</b>	<b>2831</b>
Norma 203-B	39.0	2664	<b>41.1</b>	<b>2838</b>
Norma 204	44.0	2707	<b>46.1</b>	<b>2867</b>
<b>140 gr Nosler Partition</b>			C.O.L.	2,756"
Norma 202	38.0	2697	<b>40.0</b>	<b>2808</b>
Norma 203-B	39.0	2684	<b>40.5</b>	<b>2825</b>
Norma 204	44.0	2684	<b>45.7</b>	<b>2844</b>
<b>150 gr Nosler Partition</b>			C.O.L.	2,756"
Norma 203-B	38.0	2585	<b>39.3</b>	<b>2703</b>
Norma 204	42.0	2602	<b>44.3</b>	<b>2723</b>
Norma MRP	46.0	2602	<b>48.6</b>	<b>2762</b>
<b>150 gr Nosler BST</b>			C.O.L.	2,756"
Norma 203-B	38.0	2556	<b>39.2</b>	<b>2694</b>
Norma 204	42.0	2612	<b>44.3</b>	<b>2730</b>
Norma MRP	46.0	2618	<b>48.6</b>	<b>2766</b>
<b>150 gr Norma FMJ</b>			C.O.L.	2,717"
Norma 203-B	39.0	2631	<b>40.3</b>	<b>2740</b>
Norma 204	42.0	2615	<b>44.5</b>	<b>2749</b>
Norma MRP	46.0	2625	<b>48.3</b>	<b>2779</b>
<b>156 gr Norma Oryx</b>			C.O.L.	2,638"
Norma 203-B	37.0	2523	<b>38.4</b>	<b>2635</b>
Norma 204	40.0	2510	<b>43.0</b>	<b>2687</b>
Norma MRP	44.0	2543	<b>46.6</b>	<b>2700</b>
<b>160 gr Nosler Partition</b>			C.O.L.	2,756"
Norma 203-B	37.0	2490	<b>38.1</b>	<b>2589</b>
Norma 204	40.0	2444	<b>43.1</b>	<b>2635</b>
Norma MRP	44.0	2510	<b>46.5</b>	<b>2641</b>
<b>160 gr Swift A-Frame</b>			C.O.L.	2,756"
Norma 203-B	36.0	2405	<b>37.6</b>	<b>2539</b>
Norma 204	40.0	2454	<b>42.6</b>	<b>2621</b>
Norma MRP	44.0	2566	<b>46.5</b>	<b>2651</b>

## 7x65R

Barrel length: 24" Twist: 1-8 $\frac{2}{3}$ "

Case: Norma

Primer: Winchester Magnum (WLRM)

Bullet Powder	Start Chg. Grains	Velocity Fps	Max. Chg. Grains	Velocity Fps
<b>140 gr Nosler Partition</b>			C.O.L.	3,268"
Norma 204	49.0	2638	<b>51.9</b>	<b>2753</b>
Norma MRP	54.0	2694	<b>57.2</b>	<b>2825</b>
<b>150 gr Norma FMJ</b>			C.O.L.	3,248"
Norma 204	48.0	2579	<b>50.8</b>	<b>2657</b>
Norma MRP	53.0	2562	<b>55.7</b>	<b>2756</b>
<b>154 gr Hornady SP</b>			C.O.L.	3,248"
Norma 204	49.0	2492	<b>51.5</b>	<b>2654</b>
Norma MRP	53.0	2507	<b>55.6</b>	<b>2693</b>
<b>156 gr Norma Oryx</b>			C.O.L.	3,268"
Norma 204	49.0	2428	<b>51.5</b>	<b>2674</b>
Norma MRP	52.0	2536	<b>54.9</b>	<b>2720</b>
<b>160 gr Swift A-Frame</b>			C.O.L.	3,268"
Norma MRP	52.0	2451	<b>54.4</b>	<b>2592</b>
<b>170 gr Norma Vulkan</b>			C.O.L.	3,228"
Norma 204	48.0	2379	<b>50.3</b>	<b>2539</b>
Norma MRP	52.0	2444	<b>55.0</b>	<b>2569</b>

## 284 Winchester

Barrel length: 24" Twist: 1-10"

Case: Winchester

Primer: Winchester Magnum (WLRM)

Bullet Powder	Start Chg. Grains	Velocity Fps	Max. Chg. Grains	Velocity Fps
<b>120 gr Hornady SP</b>			C.O.L.	2,795"
Norma 203-B	49.0	3022	<b>51.8</b>	<b>3169</b>
<b>140 gr Nosler Partition</b>			C.O.L.	2,795"
Norma 203-B	47.0	2812	<b>49.8</b>	<b>2959</b>
<b>150 gr Norma FMJ</b>			C.O.L.	2,795"
Norma 204	52.0	2766	<b>54.5</b>	<b>2881</b>
<b>150 gr Nosler BST</b>			C.O.L.	2,795"
Norma 204	52.0	2743	<b>54.5</b>	<b>2828</b>
<b>154 gr Hornady SP</b>			C.O.L.	2,795"
Norma 204	51.0	2615	<b>53.5</b>	<b>2808</b>
<b>156 gr Norma Oryx</b>			C.O.L.	2,795"
Norma 204	50.0	2598	<b>52.4</b>	<b>2733</b>
<b>160 gr Swift A-Frame</b>			C.O.L.	2,795"
Norma 204	51.0	2621	<b>53.9</b>	<b>2759</b>
<b>160 gr Nosler Partition</b>			C.O.L.	2,795"
Norma 204	51.0	2631	<b>53.4</b>	<b>2746</b>



## 280 Remington

Barrel length: 24" Twist: 1-10"

Case: Norma

Primer: Winchester Magnum (WLRM)

Bullet Powder	Start Chg. Grains	Velocity Fps	Max. Chg. Grains	Velocity Fps
<b>120 gr Nosler BST</b>			C.O.L.	3,228"
Norma 204	55.0	2986	<b>57.8</b>	<b>3150</b>
Norma MRP	58.0	2963	<b>60.8</b>	<b>3120</b>
<b>120 gr Hornady SP</b>			C.O.L.	3,228"
Norma 204	56.0	2989	<b>59.0</b>	<b>3143</b>
Norma MRP	58.0	2933	<b>60.8</b>	<b>3081</b>
<b>140 gr Nosler Partition</b>			C.O.L.	3,228"
Norma 204	52.0	2749	<b>55.0</b>	<b>2907</b>
Norma MRP	57.0	2772	<b>60.2</b>	<b>2986</b>
<b>150 gr Norma FMJ</b>			C.O.L.	3,209"
Norma 204	52.0	2700	<b>54.7</b>	<b>2848</b>
Norma MRP	56.0	2730	<b>58.0</b>	<b>2920</b>
<b>150 gr Nosler BST</b>			C.O.L.	3,268"
Norma 204	51.0	2661	<b>53.8</b>	<b>2822</b>
Norma MRP	55.0	2713	<b>58.2</b>	<b>2897</b>
<b>150 gr Nosler Partition</b>			C.O.L.	3,228"
Norma 204	50.0	2661	<b>53.5</b>	<b>2844</b>
Norma MRP	56.0	2753	<b>58.4</b>	<b>2881</b>
<b>154 gr Hornady SP</b>			C.O.L.	3,228"
Norma 204	51.0	2605	<b>54.2</b>	<b>2772</b>
Norma MRP	55.0	2648	<b>57.8</b>	<b>2851</b>
<b>156 gr Norma Oryx</b>			C.O.L.	3,177"
Norma 204	50.0	2625	<b>52.4</b>	<b>2717</b>
Norma MRP	55.0	2625	<b>57.7</b>	<b>2815</b>
<b>160 gr Swift A-Frame</b>			C.O.L.	3,256"
Norma 204	50.0	2536	<b>52.6</b>	<b>2694</b>
Norma MRP	54.0	2628	<b>56.8</b>	<b>2756</b>
<b>170 gr Norma Vulkan</b>			C.O.L.	3,189"
Norma 204	49.0	2480	<b>51.6</b>	<b>2608</b>
Norma MRP	54.0	2602	<b>56.9</b>	<b>2733</b>
Norma MRP-2	58.0	2661	<b>60.8</b>	<b>2805</b>

## 7x64

Barrel length: 24" Twist: 1-8<sup>2</sup>/<sub>3</sub>"

Case: Norma

Primer: Winchester Magnum (WLRM)

Bullet Powder	Start Chg. Grains	Velocity Fps	Max. Chg. Grains	Velocity Fps
<b>120 gr Hornady SP</b>			C.O.L.	3,228"
Norma 203-B	50.0	3005	<b>52.8</b>	<b>3182</b>
Norma 204	54.0	2956	<b>56.9</b>	<b>3114</b>
<b>139 gr Hornady SP</b>			C.O.L.	3,287"
Norma 203-B	47.0	2766	<b>50.0</b>	<b>2963</b>
Norma 204	52.0	2776	<b>54.9</b>	<b>2940</b>
<b>150 gr Norma FMJ</b>			C.O.L.	3,287"
Norma 203-B	47.0	2746	<b>49.3</b>	<b>2884</b>
Norma 204	51.0	2710	<b>53.5</b>	<b>2838</b>
Norma MRP	55.0	2615	<b>57.6</b>	<b>2799</b>
<b>154 gr Hornady SP</b>			C.O.L.	3,307"
Norma 204	51.0	2687	<b>53.4</b>	<b>2812</b>
Norma MRP	53.0	2562	<b>56.0</b>	<b>2805</b>
<b>156 gr Norma Oryx</b>			C.O.L.	3,228"
Norma 204	50.0	2549	<b>52.8</b>	<b>2789</b>
Norma MRP	53.0	2572	<b>56.0</b>	<b>2802</b>
<b>160 gr Swift A-Frame</b>			C.O.L.	3,228"
Norma 204	49.0	2592	<b>51.8</b>	<b>2726</b>
Norma MRP	53.0	2589	<b>55.8</b>	<b>2779</b>
<b>170 gr Norma Vulkan</b>			C.O.L.	3,209"
Norma 204	49.0	2559	<b>51.8</b>	<b>2661</b>
Norma MRP	55.0	2703	<b>57.5</b>	<b>2759</b>
<b>175 gr Hornady RN</b>			C.O.L.	3,287"
Norma 204	49.0	2490	<b>51.5</b>	<b>2631</b>
Norma MRP	53.0	2533	<b>55.8</b>	<b>2657</b>

## 7mm Remington Magnum

Barrel length: 26" Twist: 1-9/16"

Case: Norma

Primer: Winchester Magnum (WLRM)

Bullet Powder	Start Chg. Grains	Velocity Fps	Max. Chg. Grains	Velocity Fps
<b>140 gr Nosler Partition</b>			C.O.L.	3,209"
Norma 204	64.0	3196	<b>67.6</b>	<b>3297</b>
Norma MRP	66.0	3255	<b>70.2</b>	<b>3346</b>
<b>150 gr Norma FMJ</b>			C.O.L.	3,189"
Norma 204	62.0	3055	<b>65.9</b>	<b>3189</b>
Norma MRP	67.0	3018	<b>71.0</b>	<b>3284</b>
<b>150 gr Nosler BST</b>			C.O.L.	3,209"
Norma 204	60.0	2996	<b>62.5</b>	<b>3107</b>
Norma MRP	64.0	3084	<b>67.8</b>	<b>3248</b>
Norma MRP-2	66.0	3022	<b>69.0</b>	<b>3107</b>
<b>154 gr Hornady SP</b>			C.O.L.	3,228"
Norma 204	60.0	2976	<b>62.8</b>	<b>3104</b>
Norma MRP	65.0	3071	<b>67.6</b>	<b>3169</b>
Norma MRP-2	67.0	3022	<b>70.2</b>	<b>3107</b>
<b>156 gr Norma Oryx</b>			C.O.L.	3,138"
Norma 204	57.0	2832	<b>59.2</b>	<b>2927</b>
Norma MRP	61.0	2940	<b>63.0</b>	<b>3012</b>
Norma MRP-2	65.0	2986	<b>68.2</b>	<b>3084</b>
<b>160 gr Swift A-Frame</b>			C.O.L.	3,209"
Norma 204	55.0	2848	<b>58.6</b>	<b>2949</b>
Norma MRP	60.0	2940	<b>62.8</b>	<b>3022</b>
Norma MRP-2	62.0	2871	<b>65.6</b>	<b>2995</b>
<b>170 gr Norma Vulkan</b>			C.O.L.	3,150"
Norma 204	59.0	2828	<b>62.3</b>	<b>2946</b>
Norma MRP	64.0	2972	<b>66.1</b>	<b>3038</b>
Norma MRP-2	66.0	2890	<b>69.0</b>	<b>2976</b>

## 7mm Weatherby Magnum

Barrel length: 26" Twist: 1-10"

Case: Norma

Primer: Winchester Magnum (WLRM)

Bullet Powder	Start Chg. Grains	Velocity Fps	Max. Chg. Grains	Velocity Fps
<b>120 gr Hornady SP</b>			C.O.L.	3,248"
Norma MRP	73.0	3261	<b>77.0</b>	<b>3501</b>
<b>139 gr Hornady SP</b>			C.O.L.	3,346"
Norma MRP	72.0	3153	<b>76.6</b>	<b>3415</b>
<b>140 gr Nosler Partition</b>			C.O.L.	3,307"
Norma MRP	72.0	3163	<b>76.1</b>	<b>3419</b>
<b>150 gr Nosler BST</b>			C.O.L.	3,346"
Norma MRP	72.0	3104	<b>75.4</b>	<b>3281</b>
<b>150 gr Norma FMJ</b>			C.O.L.	3,228"
Norma MRP	70.0	2959	<b>74.0</b>	<b>3215</b>
<b>154 gr Hornady SP</b>			C.O.L.	3,327"
Norma MRP	72.0	3068	<b>75.9</b>	<b>3241</b>
<b>156 gr Norma Oryx</b>			C.O.L.	3,248"
Norma MRP	69.0	2943	<b>73.0</b>	<b>3143</b>
<b>160 gr Nosler Partition</b>			C.O.L.	3,287"
Norma MRP	70.0	2936	<b>74.6</b>	<b>3199</b>
<b>160 gr Swift A-Frame</b>			C.O.L.	3,287"
Norma MRP	70.0	2943	<b>74.3</b>	<b>3156</b>
<b>175 gr Hornady SP</b>			C.O.L.	3,327"
Norma MRP	69.0	2864	<b>72.3</b>	<b>3022</b>
Norma MRP-2	73.0	2831	<b>77.3</b>	<b>3038</b>
<b>175 gr Hornady RN</b>			C.O.L.	3,327"
Norma MRP	70.0	2861	<b>74.3</b>	<b>3071</b>

## 7mm Shooting Times Westerner

Barrel length: 26" Twist: 1-9 $\frac{1}{2}$ "

Case: Necked down 300 Wby

Primer: Winchester Magnum (WLRM)

Bullet Powder	Start Chg. Grains	Velocity Fps	Max. Chg. Grains	Velocity Fps
<b>120 gr Hornady SP</b>			C.O.L.	3,583"
Norma 204	71.0	3360	<b>75.0</b>	<b>3507</b>
<b>140 gr Nosler Partition</b>			C.O.L.	3,583"
Norma 204	67.0	3192	<b>70.5</b>	<b>3292</b>
<b>150 gr Nosler BST</b>			C.O.L.	3,563"
Norma MRP	75.0	3202	<b>79.5</b>	<b>3356</b>
<b>150 gr Nosler Partition</b>			C.O.L.	3,583"
Norma MRP	74.0	3173	<b>77.6</b>	<b>3310</b>
<b>150 gr Norma FMJ</b>			C.O.L.	3,543"
Norma MRP	76.0	3215	<b>80.5</b>	<b>3376</b>
<b>156 gr Norma Oryx</b>			C.O.L.	3,524"
Norma MRP	72.0	3130	<b>75.4</b>	<b>3225</b>
<b>160 gr Nosler Partition</b>			C.O.L.	3,563"
Norma MRP	72.0	3071	<b>75.5</b>	<b>3176</b>
<b>160 gr Swift A-Frame</b>			C.O.L.	3,563"
Norma MRP	72.0	3064	<b>75.5</b>	<b>3182</b>
<b>175 gr Hornady SP</b>			C.O.L.	3,583"
Norma MRP	69.0	2910	<b>72.0</b>	<b>2995</b>
<b>175 gr Nosler Partition</b>			C.O.L.	3,563"
Norma MRP	68.0	2900	<b>71.3</b>	<b>2989</b>

## 7mm Rem. Ultra Mag.

Barrel length: 26" Twist: 1-9 $\frac{1}{2}$ "

Case: Remington

Primer: Winchester Magnum (WLRM)

Bullet Powder	Start Chg. Grains	Velocity Fps	Max. Chg. Grains	Velocity Fps
<b>120 gr Hornady SP</b>			C.O.L.	3,583"
Norma 204	82.0	3498	<b>84.9</b>	<b>3615</b>
<b>139 gr Hornady SP</b>			C.O.L.	3,583"
Norma 204	79.0	3294	<b>81.4</b>	<b>3383</b>
<b>140 gr Nosler Partition</b>			C.O.L.	3,583"
Norma 204	78.0	3232	<b>80.9</b>	<b>3376</b>
Norma MRP	83.0	3304	<b>86.0</b>	<b>3415</b>
<b>150 gr Norma FMJ</b>			C.O.L.	3,583"
Norma 204	78.0	3183	<b>80.9</b>	<b>3297</b>
Norma MRP	84.0	3238	<b>86.5</b>	<b>3320</b>
<b>150 gr Nosler BST</b>			C.O.L.	3,583"
Norma 204	77.0	3166	<b>78.7</b>	<b>3212</b>
Norma MRP	80.0	3219	<b>82.7</b>	<b>3258</b>
<b>150 gr Nosler Partition</b>			C.O.L.	3,583"
Norma 204	75.0	3114	<b>77.5</b>	<b>3182</b>
Norma MRP	80.0	3104	<b>82.5</b>	<b>3192</b>
<b>154 gr Hornady SP</b>			C.O.L.	3,583"
Norma MRP	79.0	3136	<b>82.8</b>	<b>3241</b>
<b>160 gr Swift A-Frame</b>			C.O.L.	3,583"
Norma MRP	80.0	3110	<b>81.5</b>	<b>3159</b>
<b>160 gr Nosler Partition</b>			C.O.L.	3,583"
Norma MRP	80.0	3100	<b>82.5</b>	<b>3186</b>
<b>175 gr Hornady SP</b>			C.O.L.	3,583"
Norma MRP	77.0	2969	<b>79.5</b>	<b>3022</b>

## 30-30 Winchester

Barrel length: 24" Twist: 1-12"

Case: Remington

Primer: Winchester Magnum (WLRM)

Bullet Powder	Start Chg. Grains	Velocity Fps	Max. Chg. Grains	Velocity Fps
<b>150 gr Hornady RN</b>			C.O.L.	2,472"
Norma 200	28.0	2257	<b>29.3</b>	<b>2336</b>
Norma 201	32.0	2238	<b>33.5</b>	<b>2346</b>
<b>170 gr Sierra FN</b>			C.O.L.	2,472"
Norma 200	26.0	2123	<b>27.8</b>	<b>2201</b>
Norma 201	30.0	2096	<b>32.0</b>	<b>2195</b>

## 7.5x55 Swiss

Barrel length: 24" Twist: 1-10<sup>2</sup>/<sub>3</sub>"

Case: Norma

Primer: Winchester Magnum (WLRM)

Bullet Powder	Start Chg. Grains	Velocity Fps	Max. Chg. Grains	Velocity Fps
<b>150 gr Norma FMJ</b>			C.O.L.	2,795"
Norma 204	50.0	2530	<b>53.2</b>	<b>2766</b>
<b>168 gr Sierra MK</b>			C.O.L.	2,874"
Norma 203-B	43.0	2484	<b>46.3</b>	<b>2631</b>
Norma 204	49.0	2523	<b>51.7</b>	<b>2651</b>
<b>180 gr Norma Oryx</b>			C.O.L.	2,795"
Norma 203-B	41.0	2369	<b>44.0</b>	<b>2484</b>
Norma 204	46.0	2320	<b>49.0</b>	<b>2454</b>
Norma MRP	51.0	2300	<b>54.0</b>	<b>2480</b>

## 7.62x54R (Russian)

Barrel length: 24" Twist: 1-9<sup>1</sup>/<sub>2</sub>"

Case: Norma

Primer: Winchester Magnum (WLRM)

Bullet Powder	Start Chg. Grains	Velocity Fps	Max. Chg. Grains	Velocity Fps
<b>150 gr Norma FMJ</b>			C.O.L.	2,756"
Norma 203-B	46.0	2743	<b>48.4</b>	<b>2894</b>
<b>168 gr Sierra MK</b>			C.O.L.	2,791"
Norma 203-B	43.5	2487	<b>45.8</b>	<b>2694</b>
<b>180 gr Norma Oryx</b>			C.O.L.	2,791"
Norma 203-B	43.0	2435	<b>45.1</b>	<b>2543</b>
Norma 204	46.0	2290	<b>49.0</b>	<b>2526</b>

## 308 Winchester

Barrel length: 24" Twist: 1-12"

Case: Norma

Primer: Winchester Magnum (WLRM)

Bullet Powder	Start Chg. Grains	Velocity Fps	Max. Chg. Grains	Velocity Fps
<b>110 gr Hornady SP</b>			C.O.L.	2,638"
Norma 200	42.0	3124	<b>45.1</b>	<b>3307</b>
<b>110 gr Hornady RN</b>			C.O.L.	2,441"
Norma 200	42.0	3091	<b>45.1</b>	<b>3268</b>
<b>130 gr Hornady SP</b>			C.O.L.	2,677"
Norma 200	40.0	2894	<b>42.7</b>	<b>3058</b>
Norma 201	44.0	2861	<b>46.5</b>	<b>3061</b>

<b>150 gr Norma FMJ</b>			C.O.L.	2,618"
Norma 200	37.0	2658	<b>38.6</b>	<b>2759</b>
Norma 201	39.0	2638	<b>41.3</b>	<b>2815</b>
Norma 202	41.0	2638	<b>43.6</b>	<b>2851</b>

<b>150 gr Nosler BST</b>			C.O.L.	2,795"
Norma 200	37.0	2651	<b>38.6</b>	<b>2743</b>
Norma 201	39.0	2661	<b>41.0</b>	<b>2772</b>
Norma 202	41.0	2644	<b>43.3</b>	<b>2815</b>

<b>155 gr Sierra MK</b>			C.O.L.	2,795"
Norma 200	37.0	2605	<b>39.4</b>	<b>2759</b>
Norma 201	39.0	2608	<b>41.0</b>	<b>2756</b>
Norma 202	42.0	2723	<b>43.5</b>	<b>2805</b>

<b>165 gr Swift A-Frame</b>			C.O.L.	2,697"
Norma 201	38.0	2533	<b>39.5</b>	<b>2625</b>
Norma 202	40.0	2510	<b>42.1</b>	<b>2674</b>

<b>165 gr Hornady SP</b>			C.O.L.	2,776"
Norma 201	38.0	2539	<b>39.9</b>	<b>2631</b>
Norma 202	41.0	2585	<b>43.4</b>	<b>2703</b>
Norma 203-B	43.0	2592	<b>45.0</b>	<b>2710</b>

<b>168 gr Sierra MK</b>			C.O.L.	2,795"
Norma 201	40.0	2513	<b>42.1</b>	<b>2648</b>
Norma 202	40.0	2523	<b>42.4</b>	<b>2674</b>
Norma 203-B	42.0	2598	<b>44.8</b>	<b>2733</b>

<b>175 gr Sierra MK</b>			C.O.L.	2,795"
Norma 202	40.0	2471	<b>42.5</b>	<b>2625</b>
Norma 203-B	41.0	2441	<b>43.3</b>	<b>2648</b>

<b>180 gr Nosler BST</b>			C.O.L.	2,795"
Norma 202	39.0	2389	<b>41.0</b>	<b>2520</b>
Norma 203-B	41.0	2448	<b>43.2</b>	<b>2566</b>

<b>180 gr Norma Vulkan</b>			C.O.L.	2,705"
Norma 202	39.0	2356	<b>41.7</b>	<b>2526</b>
Norma 203-B	42.0	2470	<b>44.0</b>	<b>2615</b>

<b>180 gr Norma Oryx</b>			C.O.L.	2,705"
Norma 202	39.0	2385	<b>41.6</b>	<b>2549</b>
Norma 203-B	42.0	2451	<b>44.1</b>	<b>2597</b>

<b>180 gr Norma Alaska</b>			C.O.L.	2,657"
Norma 202	39.0	2398	<b>42.0</b>	<b>2556</b>
Norma 203-B	42.0	2480	<b>44.1</b>	<b>2625</b>

<b>180 gr Swift A-Frame</b>			C.O.L.	2,736"
Norma 202	39.0	2451	<b>41.2</b>	<b>2559</b>
Norma 203-B	41.0	2441	<b>43.3</b>	<b>2562</b>

<b>190 gr Sierra MK</b>			C.O.L.	2,795"
Norma 202	39.0	2339	<b>41.7</b>	<b>2533</b>
Norma 203-B	40.0	2444	<b>42.6</b>	<b>2566</b>

<b>200 gr Norma Oryx</b>			C.O.L.	2,709"
Norma 202	39.0	2277	<b>41.7</b>	<b>2428</b>
Norma 203-B	40.0	2297	<b>42.4</b>	<b>2434</b>

## 30-06 Springfield

Barrel length: 24" Twist: 1-10"

Case: Norma

Primer: Winchester Magnum (WLRM)

Bullet Powder	Start Chg. Grains	Velocity Fps	Max. Chg. Grains	Velocity Fps
---------------	-------------------	--------------	------------------	--------------

**110 gr Hornady SP** C.O.L. 3,110"

Norma 201 54.0 3307 **57.1** **3481**

Norma 202 54.0 3235 **56.8** **3438**

**110 gr Hornady RN** C.O.L. 2,874"

Norma 201 54.0 3284 **57.1** **3458**

Norma 202 54.0 3209 **56.5** **3415**

**130 gr Hornady SP** C.O.L. 3,071"

Norma 201 51.0 3045 **53.8** **3225**

Norma 202 52.0 3054 **55.6** **3264**

Norma 203-B 53.0 3051 **56.4** **3261**

**150 gr Norma FMJ** C.O.L. 3,110"

Norma 203-B 50.0 2874 **53.8** **3051**

Norma 204 55.0 2753 **57.1** **2907**

**150 gr Nosler BST** C.O.L. 3,228"

Norma 203-B 50.0 2897 **53.2** **3028**

Norma 204 55.0 2736 **57.1** **2927**

**165 gr Hornady SP** C.O.L. 3,228"

Norma 203-B 50.0 2592 **52.5** **2828**

Norma 204 54.0 2694 **56.9** **2867**

**168 gr Sierra MK** C.O.L. 3,228"

Norma 203-B 50.0 2644 **52.8** **2867**

Norma 204 53.0 2697 **55.6** **2844**

**180 gr Nosler Partition** C.O.L. 3,228"

Norma 203-B 48.0 2480 **50.9** **2713**

Norma 204 51.0 2553 **53.4** **2612**

Norma MRP 55.0 2559 **57.9** **2654**

**180 gr Nosler BST** C.O.L. 3,228"

Norma 203-B 48.0 2484 **50.6** **2707**

Norma 204 51.0 2530 **53.4** **2723**

Norma MRP 56.0 2595 **58.6** **2746**

**180 gr Hornady SP** C.O.L. 3,228"

Norma 203-B 48.0 2500 **50.9** **2720**

Norma 204 52.0 2562 **54.3** **2723**

Norma MRP 56.0 2585 **58.6** **2736**

**180 gr Norma Oryx** C.O.L. 3,189"

Norma 203-B 48.0 2493 **50.5** **2720**

Norma 204 51.0 2579 **53.7** **2684**

Norma MRP 56.0 2572 **58.8** **2733**

**180 gr Norma Vulkan** C.O.L. 3,189"

Norma 203-B 48.0 2510 **50.8** **2720**

Norma 204 52.0 2526 **54.3** **2707**

Norma MRP 56.0 2566 **59.0** **2710**

**180 gr Norma Alaska** C.O.L. 3,189"

Norma 203-B 49.0 2497 **51.6** **2697**

Norma 204 53.0 2546 **55.4** **2710**

Norma MRP 56.0 2500 **59.0** **2690**

**200 gr Norma Oryx** C.O.L. 3,189"

Norma 204 49.0 2379 **52.0** **2592**

Norma MRP 53.0 2448 **55.7** **2569**

**220 gr Hornady RN** C.O.L. 3,228"

Norma 204 48.0 2330 **50.9** **2441**

Norma MRP 53.0 2326 **55.6** **2500**

## 300 Win. Short Magnum

Barrel length: 24" Twist: 1-10"

Case: Norma

Primer: Winchester Magnum (WLRM)

Bullet Powder	Start Chg. Grains	Velocity Fps	Max. Chg. Grains	Velocity Fps
---------------	-------------------	--------------	------------------	--------------

**150 gr Nosler BST** C.O.L. 2,815"

Norma 204 66.0 3196 **68.0** **3291**

**165 gr Swift A-Frame** C.O.L. 2,756"

Norma 204 62.0 2923 **65.5** **3107**

**165 gr Nosler BST** C.O.L. 2,815"

Norma 204 61.0 2891 **64.5** **3068**

**180 gr Norma Oryx** C.O.L. 2,717"

Norma 204 61.0 2864 **63.2** **2969**

Norma MRP 65.0 2897 **67.8** **3009**

## 300 Holland & Holland Magnum

Barrel length: 26" Twist: 1-10"

Case: Norma

Primer: Winchester Magnum (WLRM)

Bullet Powder	Start Chg. Grains	Velocity Fps	Max. Chg. Grains	Velocity Fps
<b>150 gr Nosler Partition</b>			C.O.L.	3,583"
Norma MRP	70.0	3028	<b>73.4</b>	<b>3196</b>
<b>150 gr Hornady SP</b>			C.O.L.	3,504"
Norma MRP	69.0	2986	<b>72.0</b>	<b>3179</b>
<b>165 gr Hornady SP</b>			C.O.L.	3,524"
Norma MRP	67.0	2881	<b>70.4</b>	<b>3025</b>
<b>180 gr Swift A-Frame</b>			C.O.L.	3,524"
Norma MRP	63.0	2759	<b>66.0</b>	<b>2900</b>
Norma MRP-2	67.0	2802	<b>70.5</b>	<b>2917</b>
<b>180 gr Nosler Partition</b>			C.O.L.	3,543"
Norma MRP	65.0	2776	<b>68.1</b>	<b>2917</b>
Norma MRP-2	68.0	2802	<b>72.6</b>	<b>2930</b>
<b>180 gr Nosler BST</b>			C.O.L.	3,543"
Norma MRP	65.0	2792	<b>67.5</b>	<b>2920</b>
Norma MRP-2	68.0	2802	<b>72.0</b>	<b>2913</b>
<b>180 gr Norma Oryx</b>			C.O.L.	3,465"
Norma MRP	65.0	2756	<b>68.4</b>	<b>2913</b>
Norma MRP-2	69.0	2808	<b>73.1</b>	<b>2927</b>
<b>200 gr Nosler Partition</b>			C.O.L.	3,484"
Norma MRP	62.0	2566	<b>65.0</b>	<b>2762</b>
Norma MRP-2	66.0	2585	<b>69.8</b>	<b>2789</b>
<b>200 gr Swift A-Frame</b>			C.O.L.	3,524"
Norma MRP	62.0	2572	<b>65.0</b>	<b>2730</b>
Norma MRP-2	66.0	2595	<b>69.1</b>	<b>2743</b>
<b>220 gr Hornady RN</b>			C.O.L.	3,465"
Norma MRP	61.0	2503	<b>64.2</b>	<b>2635</b>
Norma MRP-2	64.0	2539	<b>68.5</b>	<b>2661</b>
<b>220 gr Nosler Partition</b>			C.O.L.	3,484"
Norma MRP	60.0	2536	<b>63.1</b>	<b>2644</b>
Norma MRP-2	64.0	2559	<b>67.4</b>	<b>2651</b>

## 308 Norma Magnum

Barrel length: 26" Twist: 1-10"

Case: Norma

Primer: Winchester Magnum (WLRM)

Bullet Powder	Start Chg. Grains	Velocity Fps	Max. Chg. Grains	Velocity Fps
<b>150 gr Norma FMJ</b>			C.O.L.	3,248"
Norma 204	68.0	3051	<b>72.8</b>	<b>3278</b>
<b>150 gr Nosler BST</b>			C.O.L.	3,307"
Norma 204	68.0	3087	<b>71.4</b>	<b>3278</b>
<b>165 gr Nosler BST</b>			C.O.L.	3,307"
Norma 204	67.0	2861	<b>71.0</b>	<b>3091</b>
<b>165 gr Swift A-Frame</b>			C.O.L.	3,228"
Norma 204	67.0	2867	<b>71.0</b>	<b>3091</b>
<b>168 gr Sierra MK</b>			C.O.L.	3,307"
Norma 204	68.0	3002	<b>71.2</b>	<b>3166</b>
Norma MRP	74.0	2995	<b>77.8</b>	<b>3163</b>
<b>175 gr Sierra MK</b>			C.O.L.	3,287"
Norma 204	66.0	2969	<b>69.8</b>	<b>3110</b>
Norma MRP	74.0	3012	<b>77.8</b>	<b>3173</b>
<b>180 gr Nosler BST</b>			C.O.L.	3,307"
Norma 204	65.0	2897	<b>68.4</b>	<b>3025</b>
Norma MRP	71.0	2881	<b>74.5</b>	<b>3015</b>
<b>180 gr Nosler Partition</b>			C.O.L.	3,287"
Norma 204	65.0	2877	<b>68.7</b>	<b>2999</b>
Norma MRP	71.0	2861	<b>75.2</b>	<b>3048</b>
<b>180 gr Norma Oryx</b>			C.O.L.	3,268"
Norma 204	65.0	2864	<b>68.8</b>	<b>2999</b>
Norma MRP	71.0	2854	<b>75.2</b>	<b>3005</b>
<b>180 gr Hornady SP</b>			C.O.L.	3,307"
Norma 204	65.0	2881	<b>68.5</b>	<b>3005</b>
Norma MRP	71.0	2825	<b>75.0</b>	<b>3048</b>
<b>200 gr Norma Oryx</b>			C.O.L.	3,268"
Norma 204	62.0	2710	<b>65.1</b>	<b>2782</b>
Norma MRP	68.0	2697	<b>71.6</b>	<b>2867</b>
<b>200 gr Sierra MK</b>			C.O.L.	3,307"
Norma 204	63.0	2717	<b>66.4</b>	<b>2854</b>
Norma MRP	69.0	2703	<b>72.8</b>	<b>2940</b>
<b>220 gr Hornady RN</b>			C.O.L.	3,228"
Norma 204	60.0	2431	<b>65.0</b>	<b>2684</b>
Norma MRP	68.0	2615	<b>71.9</b>	<b>2736</b>

## 300 Winchester Magnum

### Heavy cases / 270 gr

Barrel length: 26" Twist: 1-10"

Case: Norma

Primer: Winchester Magnum (WLRM)

Bullet Powder	Start Chg. Grains	Velocity Fps	Max. Chg. Grains	Velocity Fps
<b>150 gr Norma FMJ</b>			C.O.L.	3,268"
Norma 204	68.0	3054	<b>71.2</b>	<b>3229</b>
Norma MRP	69.0	2900	<b>72.5</b>	<b>3130</b>
<b>150 gr Nosler Partition</b>			C.O.L.	3,327"
Norma 204	68.0	3061	<b>71.5</b>	<b>3228</b>
Norma MRP	71.0	3009	<b>74.8</b>	<b>3186</b>
<b>150 gr Nosler BST</b>			C.O.L.	3,327"
Norma 204	66.0	2982	<b>69.8</b>	<b>3176</b>
Norma MRP	71.0	3018	<b>74.8</b>	<b>3189</b>
<b>150 gr Hornady SP</b>			C.O.L.	3,327"
Norma 204	68.0	3068	<b>71.2</b>	<b>3219</b>
Norma MRP	71.0	3009	<b>74.8</b>	<b>3225</b>
<b>165 gr Hornady SP</b>			C.O.L.	3,327"
Norma 204	65.0	2930	<b>68.3</b>	<b>3078</b>
Norma MRP	68.0	2936	<b>72.2</b>	<b>3107</b>
<b>168 gr Sierra MK</b>			C.O.L.	3,307"
Norma 204	64.0	2943	<b>67.1</b>	<b>3074</b>
Norma MRP	71.0	2989	<b>74.6</b>	<b>3120</b>
<b>175 gr Sierra MK</b>			C.O.L.	3,327"
Norma 204	63.0	2822	<b>66.4</b>	<b>2989</b>
Norma MRP	70.0	2927	<b>73.1</b>	<b>3068</b>
<b>180 gr Nosler BST</b>			C.O.L.	3,327"
Norma 204	61.0	2756	<b>64.3</b>	<b>2877</b>
Norma MRP	67.0	2789	<b>71.3</b>	<b>2976</b>
<b>180 gr Norma Oryx</b>			C.O.L.	3,307"
Norma 204	63.0	2795	<b>67.0</b>	<b>2959</b>
Norma MRP	67.0	2749	<b>72.3</b>	<b>3012</b>
<b>190 gr Sierra MK</b>			C.O.L.	3,307"
Norma 204	60.0	2694	<b>63.2</b>	<b>2786</b>
Norma MRP	67.0	2749	<b>71.0</b>	<b>2966</b>
<b>200 gr Sierra MK</b>			C.O.L.	3,327"
Norma 204	58.0	2618	<b>61.0</b>	<b>2707</b>
Norma MRP	66.0	2703	<b>68.4</b>	<b>2838</b>
<b>200 gr Norma Oryx</b>			C.O.L.	3,307"
Norma 204	60.0	2641	<b>63.8</b>	<b>2782</b>
Norma MRP	66.0	2723	<b>67.9</b>	<b>2789</b>
<b>220 gr Hornady RN</b>			C.O.L.	3,307"
Norma 204	61.0	2592	<b>63.6</b>	<b>2667</b>
Norma MRP	61.0	2523	<b>64.5</b>	<b>2641</b>

## 300 Winchester Magnum

### Light cases / 215 gr

<b>150 gr Norma FMJ</b>			C.O.L.	3,268"
Norma 204	73.0	3140	<b>76.5</b>	<b>3337</b>
Norma MRP	77.0	3140	<b>81.3</b>	<b>3376</b>
<b>150 gr Nosler Partition</b>			C.O.L.	3,327"
Norma 204	72.0	3123	<b>75.2</b>	<b>3288</b>
Norma MRP	75.0	3074	<b>79.5</b>	<b>3248</b>
<b>150 gr Nosler BST</b>			C.O.L.	3,327"
Norma 204	72.0	3130	<b>75.2</b>	<b>3294</b>
Norma MRP	75.0	3081	<b>79.5</b>	<b>3261</b>
<b>150 gr Hornady SP</b>			C.O.L.	3,327"
Norma 204	72.0	3133	<b>75.2</b>	<b>3294</b>
Norma MRP	75.0	3087	<b>79.5</b>	<b>3241</b>
<b>165 gr Hornady SP</b>			C.O.L.	3,327"
Norma 204	71.0	3054	<b>74.4</b>	<b>3206</b>
Norma MRP	75.0	3051	<b>78.4</b>	<b>3212</b>
<b>168 gr Sierra MK</b>			C.O.L.	3,307"
Norma 204	70.0	3074	<b>73.1</b>	<b>3166</b>
Norma MRP	75.0	3035	<b>78.9</b>	<b>3179</b>
<b>175 gr Sierra MK</b>			C.O.L.	3,327"
Norma 204	68.0	2920	<b>71.9</b>	<b>3081</b>
Norma MRP	75.0	3061	<b>78.8</b>	<b>3176</b>
<b>180 gr Nosler BST</b>			C.O.L.	3,327"
Norma 204	68.0	2890	<b>71.0</b>	<b>2996</b>
Norma MRP	73.0	2930	<b>76.6</b>	<b>3117</b>
<b>180 gr Nosler Partition</b>			C.O.L.	3,327"
Norma 204	68.0	2910	<b>71.3</b>	<b>2999</b>
Norma MRP	73.0	2913	<b>77.0</b>	<b>3094</b>
<b>180 gr Norma Oryx</b>			C.O.L.	3,307"
Norma 204	68.0	2887	<b>71.5</b>	<b>3002</b>
Norma MRP	74.0	2907	<b>77.3</b>	<b>3084</b>
<b>180 gr Swift A-Frame</b>			C.O.L.	3,327"
Norma 204	68.0	2920	<b>71.3</b>	<b>3025</b>
Norma MRP	73.0	2917	<b>77.0</b>	<b>3097</b>
<b>190 gr Sierra MK</b>			C.O.L.	3,307"
Norma 204	67.0	2815	<b>70.5</b>	<b>2969</b>
Norma MRP	72.0	2864	<b>76.0</b>	<b>3038</b>
<b>200 gr Nosler Partition</b>			C.O.L.	3,327"
Norma 204	65.0	2703	<b>68.5</b>	<b>2838</b>
Norma MRP	70.0	2762	<b>73.6</b>	<b>2907</b>
<b>200 gr Sierra MK</b>			C.O.L.	3,327"
Norma 204	65.0	2713	<b>68.7</b>	<b>2871</b>
Norma MRP	70.0	2772	<b>73.7</b>	<b>2923</b>

<b>200 gr Norma Oryx</b>			C.O.L.	3,307"
Norma 204	65.0	2703	<b>68.5</b>	<b>2832</b>
Norma MRP	70.0	2766	<b>73.6</b>	<b>2904</b>
<b>220 gr Hornady RN</b>			C.O.L.	3,307"
Norma MRP	67.0	2552	<b>73.0</b>	<b>2763</b>

## 300 Weatherby Magnum

Barrel length: 26" Twist: 1-10"

Case: Norma

Primer: Winchester Magnum (WLRM)

Bullet Powder	Start Chg. Grains	Velocity Fps	Max. Chg. Grains	Velocity Fps
<b>150 gr Nosler Partition</b>			C.O.L.	3,543"
Norma MRP	84.0	3225	<b>88.2</b>	<b>3451</b>
<b>150 gr Nosler BST</b>			C.O.L.	3,543"
Norma MRP	84.0	3232	<b>88.2</b>	<b>3461</b>
<b>150 gr Norma FMJ</b>			C.O.L.	3,504"
Norma MRP	84.0	3192	<b>88.2</b>	<b>3428</b>
<b>165 gr Nosler BST</b>			C.O.L.	3,551"
Norma MRP	83.0	3163	<b>87.2</b>	<b>3356</b>
<b>165 gr Hornady SP</b>			C.O.L.	3,543"
Norma MRP	83.0	3117	<b>87.4</b>	<b>3317</b>
<b>165 gr Swift A-Frame</b>			C.O.L.	3,543"
Norma MRP	83.0	3123	<b>87.5</b>	<b>3323</b>
<b>180 gr Swift A-Frame</b>			C.O.L.	3,524"
Norma MRP	82.0	3074	<b>86.0</b>	<b>3205</b>
<b>180 gr Nosler BST</b>			C.O.L.	3,551"
Norma MRP	82.0	3097	<b>85.8</b>	<b>3238</b>
<b>180 gr Norma Oryx</b>			C.O.L.	3,524"
Norma MRP	82.0	3078	<b>86.0</b>	<b>3222</b>
<b>180 gr Nosler Partition</b>			C.O.L.	3,543"
Norma MRP	82.0	3074	<b>86.0</b>	<b>3235</b>
<b>200 gr Norma Oryx</b>			C.O.L.	3,504"
Norma MRP	78.0	2851	<b>82.6</b>	<b>3048</b>
Norma MRP-2	85.0	2943	<b>89.1</b>	<b>3071</b>
<b>200 gr Swift A-Frame</b>			C.O.L.	3,543"
Norma MRP	77.0	2812	<b>81.6</b>	<b>3009</b>
Norma MRP-2	84.0	2894	<b>88.3</b>	<b>3051</b>
<b>220 gr Hornady RN</b>			C.O.L.	3,551"
Norma MRP	77.0	2759	<b>80.8</b>	<b>2900</b>
Norma MRP-2	82.0	2746	<b>86.8</b>	<b>2940</b>
<b>220 gr Nosler Partition</b>			C.O.L.	3,543"
Norma MRP	76.0	2763	<b>79.7</b>	<b>2881</b>
Norma MRP-2	81.0	2723	<b>85.2</b>	<b>2920</b>

## 30-378 Weatherby Mag.

Barrel length: 26" Twist: 1-10"

Case: Norma

Primer: Winchester Magnum (WLRM)

Bullet Powder	Start Chg. Grains	Velocity Fps	Max. Chg. Grains	Velocity Fps
<b>150 gr Nosler Partition</b>			C.O.L.	3,681"
Norma MRP	105.5	3553	<b>105.5</b>	<b>3553</b>
Norma MRP-2	105.0	3425	<b>110.8</b>	<b>3570</b>
<b>150 gr Nosler BST</b>			C.O.L.	3,681"
Norma MRP	99.0	3406	<b>103.6</b>	<b>3560</b>
Norma MRP-2	105.0	3432	<b>110.2</b>	<b>3583</b>
<b>165 gr Nosler BST</b>			C.O.L.	3,701"
Norma MRP	97.0	3314	<b>100.2</b>	<b>3389</b>
Norma MRP-2	102.0	3278	<b>107.0</b>	<b>3419</b>
<b>165 gr Hornady SP</b>			C.O.L.	3,681"
Norma MRP	96.0	3120	<b>103.3</b>	<b>3445</b>
Norma MRP-2	103.0	3363	<b>108.0</b>	<b>3412</b>
<b>180 gr Hornady SP</b>			C.O.L.	3,681"
Norma MRP	97.0	3176	<b>100.0</b>	<b>3271</b>
Norma MRP-2	104.0	3206	<b>106.2</b>	<b>3281</b>
<b>180 gr Nosler BST</b>			C.O.L.	3,701"
Norma MRP	94.0	3182	<b>96.6</b>	<b>3268</b>
Norma MRP-2	99.0	3130	<b>104.1</b>	<b>3304</b>
<b>180 gr Swift A-Frame</b>			C.O.L.	3,602"
Norma MRP	96.0	3179	<b>98.5</b>	<b>3258</b>
Norma MRP-2	101.0	3173	<b>105.6</b>	<b>3284</b>
<b>200 gr Nosler AccuBond</b>			C.O.L.	3,646"
Norma MRP-2	97.0	3045	<b>100.0</b>	<b>3120</b>
<b>200 gr Swift A-Frame</b>			C.O.L.	3,587"
Norma MRP-2	99.0	3051	<b>101.5</b>	<b>3091</b>
<b>7.7 Japanese</b>				
Barrel length: 24" Twist: 1-10"				
Case: Norma				
Primer: Winchester Magnum (WLRM)				
Bullet Powder	Start Chg. Grains	Velocity Fps	Max. Chg. Grains	Velocity Fps
<b>150 gr Hornady SP</b>			C.O.L.	3,031"
Norma 202	41.0	2480	<b>43.7</b>	<b>2641</b>
Norma 203-B	42.0	2520	<b>44.5</b>	<b>2615</b>
Norma 204	46.0	2434	<b>48.4</b>	<b>2572</b>
<b>174 gr Hornady RN</b>			C.O.L.	3,012"
Norma 202	40.0	2349	<b>42.4</b>	<b>2484</b>
Norma 203-B	40.0	2326	<b>42.5</b>	<b>2474</b>
Norma 204	44.0	2264	<b>46.3</b>	<b>2441</b>



## 303 British

Barrel length: 24" Twist: 1-10"

Case: Norma

Primer: Winchester Magnum (WLRM)

Bullet Powder	Start Chg. Grains	Velocity Fps	Max. Chg. Grains	Velocity Fps
---------------	-------------------	--------------	------------------	--------------

**150 gr Hornady SP** C.O.L. 2,992"

Norma 201 39.0 2618 **41.7** **2733**

Norma 202 41.0 2631 **43.5** **2779**

**174 gr Hornady RN** C.O.L. 2,933"

Norma 201 37.0 2297 **39.4** **2559**

Norma 202 39.0 2454 **41.0** **2608**

Norma 203-B 41.0 2454 **43.5** **2598**

**215 gr Woodleigh RN** C.O.L. 3,031"

Norma 203-B 38.0 2195 **40.0** **2310**

## 7.65 Argentine

Barrel length: 24" Twist: 1-11"

Case: Norma

Primer: Winchester Magnum (WLRM)

Bullet Powder	Start Chg. Grains	Velocity Fps	Max. Chg. Grains	Velocity Fps
---------------	-------------------	--------------	------------------	--------------

**150 gr Hornady SP** C.O.L. 2,874"

Norma 202 40.0 2431 **42.6** **2589**

Norma 203-B 41.0 2431 **43.7** **2585**

**174 gr Hornady RN** C.O.L. 2,835"

Norma 202 38.0 2313 **40.9** **2434**

Norma 203-B 40.0 2395 **42.1** **2431**

## 8x57 JRS

Barrel length: 24" Twist: 1-9½"

Case: Norma

Primer: Winchester Magnum (WLRM)

Bullet Powder	Start Chg. Grains	Velocity Fps	Max. Chg. Grains	Velocity Fps
---------------	-------------------	--------------	------------------	--------------

**123 gr Norma FMJ** C.O.L. 2,697"

Norma 201 46.0 2887 **48.8** **3035**

Norma 202 47.0 2812 **49.7** **3074**

**150 gr Hornady SP** C.O.L. 2,972"

Norma 202 45.0 2625 **48.0** **2779**

Norma 203-B 49.0 2733 **50.7** **2799**

**170 gr Hornady RN** C.O.L. 2,835"

Norma 202 44.0 2520 **46.3** **2589**

Norma 203-B 46.0 2457 **48.3** **2612**

**196 gr Norma Oryx** C.O.L. 2,933"

Norma 202 40.0 2352 **42.1** **2398**

Norma 203-B 43.0 2333 **44.8** **2421**

**196 gr Norma Alaska** C.O.L. 2,933"

Norma 202 40.0 2356 **42.1** **2402**

Norma 203-B 43.0 2300 **45.1** **2428**

**220 gr Hornady SP** C.O.L. 3,031"

Norma 203-B 40.5 2149 **42.7** **2247**

## 8x57 JS

Barrel length: 24" Twist: 1-9½"

Case: Norma

Primer: Winchester Magnum (WLRM)

Bullet Powder	Start Chg. Grains	Velocity Fps	Max. Chg. Grains	Velocity Fps
---------------	-------------------	--------------	------------------	--------------

**123 gr Norma FMJ** C.O.L. 2,697"

Norma 200 43.0 2936 **45.7** **3136**

Norma 201 46.8 2828 **50.6** **3091**

**125 gr Hornady SP** C.O.L. 2,835"

Norma 201 49.0 2979 **52.0** **3146**

**150 gr Hornady SP** C.O.L. 2,972"

Norma 201 45.0 2717 **47.8** **2874**

Norma 202 47.0 2759 **50.0** **2933**

**170 gr Hornady RN** C.O.L. 2,835"

Norma 201 44.0 2562 **46.0** **2674**

Norma 202 46.0 2549 **48.3** **2726**

**196 gr Norma Oryx** C.O.L. 2,933"

Norma 203-B 47.0 2451 **49.4** **2562**

**196 gr Norma Alaska** C.O.L. 2,953"

Norma 203-B 47.0 2457 **49.4** **2575**

**196 gr Norma Vulkan** C.O.L. 2,953"

Norma 203-B 47.0 2477 **49.4** **2592**

**200 gr Nosler Partition** C.O.L. 3,031"

Norma 203-B 47.0 2431 **49.1** **2530**

**200 gr Swift A-Frame** C.O.L. 3,031"

Norma 203-B 47.0 2421 **49.4** **2523**

**220 gr Swift A-Frame** C.O.L. 3,031"

Norma 203-B 45.0 2297 **47.4** **2421**

**220 gr Hornady SP** C.O.L. 3,031"

Norma 203-B 44.0 2254 **46.4** **2438**

## 338-06 A-square

Barrel length: 24" Twist: 1-10"

Case: Norma

Primer: Winchester Magnum (WLRM)

Bullet Powder	Start Chg. Grains	Velocity Fps	Max. Chg. Grains	Velocity Fps
<b>180 gr Nosler BST</b>			C.O.L.	3,287"
Norma 202	53.0	2838	<b>55.9</b>	<b>2949</b>
<b>200 gr Hornady SP</b>			C.O.L.	3,307"
Norma 202	52.0	2710	<b>55.0</b>	<b>2799</b>
Norma 203-B	55.0	2746	<b>57.8</b>	<b>2874</b>
<b>210 gr Nosler Partition</b>			C.O.L.	3,307"
Norma 203-B	54.0	2595	<b>56.5</b>	<b>2733</b>
<b>225 gr Norma FMJ</b>			C.O.L.	3,307"
Norma 203-B	50.0	2520	<b>53.0</b>	<b>2644</b>
<b>225 gr Swift A-Frame</b>			C.O.L.	3,307"
Norma 203-B	51.0	2494	<b>53.2</b>	<b>2598</b>
<b>250 gr Nosler Partition</b>			C.O.L.	3,307"
Norma 203-B	49.0	2372	<b>51.2</b>	<b>2438</b>
<b>250 gr Hornady SP</b>			C.O.L.	3,327"
Norma 203-B	48.0	2379	<b>51.0</b>	<b>2454</b>
<b>250 gr Hornady RN</b>			C.O.L.	3,327"
Norma 203-B	50.0	2418	<b>53.2</b>	<b>2516</b>

## 338 Winchester Magnum

Barrel length: 26" Twist: 1-10"

Case: Norma

Primer: Winchester Magnum (WLRM)

Bullet Powder	Start Chg. Grains	Velocity Fps	Max. Chg. Grains	Velocity Fps
<b>180 gr Nosler BST</b>			C.O.L.	3,307"
Norma 203-B	66.0	2828	<b>69.4</b>	<b>3097</b>
Norma 204	69.0	2867	<b>73.0</b>	<b>3077</b>
<b>200 gr Hornady SP</b>			C.O.L.	3,307"
Norma 203-B	65.0	2664	<b>68.3</b>	<b>2969</b>
Norma 204	69.0	2674	<b>72.8</b>	<b>2969</b>
<b>225 gr Norma FMJ</b>			C.O.L.	3,327"
Norma 203-B	61.0	2503	<b>63.7</b>	<b>2785</b>
Norma 204	67.0	2654	<b>70.1</b>	<b>2822</b>
Norma MRP	73.0	2700	<b>76.6</b>	<b>2848</b>
<b>225 gr Swift A-Frame</b>			C.O.L.	3,209"
Norma 203-B	60.0	2605	<b>62.8</b>	<b>2697</b>
Norma 204	65.0	2520	<b>68.2</b>	<b>2723</b>
Norma MRP	73.0	2638	<b>77.3</b>	<b>2838</b>

<b>250 gr Nosler Partition</b>			C.O.L.	3,307"
Norma 204	63.0	2451	<b>66.1</b>	<b>2612</b>
Norma MRP	69.0	2493	<b>73.0</b>	<b>2635</b>

<b>250 gr Hornady SP</b>			C.O.L.	3,307"
Norma 204	64.0	2477	<b>67.5</b>	<b>2651</b>
Norma MRP	69.0	2484	<b>73.0</b>	<b>2644</b>

## 340 Weatherby Magnum

Barrel length: 26" Twist: 1-10"

Case: Norma

Primer: Winchester Magnum (WLRM)

Bullet Powder	Start Chg. Grains	Velocity Fps	Max. Chg. Grains	Velocity Fps
<b>180 gr Nosler BST</b>			C.O.L.	3,583"
Norma 204	82.0	3130	<b>86.5</b>	<b>3353</b>
<b>200 gr Hornady SP</b>			C.O.L.	3,661"
Norma 204	81.0	2992	<b>85.3</b>	<b>3156</b>
Norma MRP	85.0	2845	<b>90.0</b>	<b>3071</b>
<b>210 gr Nosler Partition</b>			C.O.L.	3,622"
Norma 204	79.0	2835	<b>83.5</b>	<b>3068</b>
Norma MRP	85.0	2858	<b>90.0</b>	<b>3084</b>
<b>225 gr Norma FMJ</b>			C.O.L.	3,642"
Norma MRP	83.0	2812	<b>86.2</b>	<b>3018</b>
<b>225 gr Swift A-Frame</b>			C.O.L.	3,583"
Norma MRP	83.0	2822	<b>87.6</b>	<b>3009</b>
<b>225 gr Hornady SP</b>			C.O.L.	3,642"
Norma MRP	83.0	2766	<b>88.8</b>	<b>3005</b>
<b>250 gr Nosler Partition</b>			C.O.L.	3,622"
Norma MRP	82.0	2694	<b>86.1</b>	<b>2874</b>
<b>250 gr Hornady SP</b>			C.O.L.	3,642"
Norma MRP	82.0	2730	<b>86.0</b>	<b>2877</b>
<b>250 gr Hornady RN</b>			C.O.L.	3,661"
Norma MRP	83.0	2746	<b>87.2</b>	<b>2890</b>
<b>300 gr Woodleigh RNSN</b>			C.O.L.	3,622"
Norma MRP	77.0	2441	<b>81.5</b>	<b>2615</b>
<b>300 gr Woodleigh FMJ</b>			C.O.L.	3,661"
Norma MRP	77.0	2464	<b>80.8</b>	<b>2585</b>

## 338 Lapua Magnum

Barrel length: 26" Twist: 1-10"

Case: Norma

Primer: Winchester Magnum (WLRM)

Bullet Powder	Start Chg. Grains	Velocity Fps	Max. Chg. Grains	Velocity Fps
<b>200 gr Nosler BST</b>			C.O.L.	3,622"
Norma MRP	88.0	3002	<b>93.0</b>	<b>3169</b>
Norma MRP-2	96.0	3054	<b>101.0</b>	<b>3235</b>

<b>210 gr Nosler Partition</b>			C.O.L.	3,543"
Norma MRP	85.0	2933	<b>90.0</b>	<b>3084</b>
Norma MRP-2	93.0	3022	<b>97.5</b>	<b>3127</b>

<b>225 gr Hornady SP</b>			C.O.L.	3,543"
Norma MRP	86.0	2845	<b>90.7</b>	<b>3031</b>
Norma MRP-2	94.0	2930	<b>98.6</b>	<b>3084</b>

<b>225 gr Norma FMJ</b>			C.O.L.	3,563"
Norma MRP	86.0	2864	<b>90.7</b>	<b>3022</b>
Norma MRP-2	94.0	2940	<b>98.4</b>	<b>3091</b>

<b>250 gr Hornady SP</b>			C.O.L.	3,563"
Norma MRP	83.0	2743	<b>87.1</b>	<b>2874</b>
Norma MRP-2	88.0	2720	<b>93.0</b>	<b>2913</b>

<b>250 gr Nosler Partition</b>			C.O.L.	3,524"
Norma MRP	78.0	2658	<b>82.4</b>	<b>2805</b>
Norma MRP-2	86.0	2769	<b>90.1</b>	<b>2871</b>

<b>300 gr Sierra MK</b>			C.O.L.	3,661"
Norma MRP	76.0	2461	<b>80.0</b>	<b>2589</b>
Norma MRP-2	82.0	2536	<b>86.8</b>	<b>2644</b>

## 338 Rem. Ultra Magnum

length: 26" Twist: 1-10"

Case: Remington

Primer: Winchester Magnum (WLRM)

Bullet Powder	Start Chg. Grains	Velocity Fps	Max. Chg. Grains	Velocity Fps
<b>200 gr Nosler BST</b>			C.O.L.	3,583"
Norma MRP	86.0	3055	<b>93.2</b>	<b>3241</b>
Norma MRP-2	98.0	3133	<b>101.4</b>	<b>3222</b>

<b>225 gr Hornady SP</b>			C.O.L.	3,583"
Norma MRP	86.0	2877	<b>90.2</b>	<b>3028</b>
Norma MRP-2	96.0	3005	<b>98.5</b>	<b>3094</b>

<b>225 gr Swift A-Frame</b>			C.O.L.	3,524"
Norma MRP	86.0	2854	<b>89.9</b>	<b>3025</b>

<b>225 gr Norma FMJ</b>			C.O.L.	3,583"
Norma MRP	86.0	2864	<b>90.4</b>	<b>3064</b>
Norma MRP-2	96.0	3015	<b>98.3</b>	<b>3110</b>

<b>250 gr Nosler Partition</b>			C.O.L.	3,563"
Norma MRP	81.0	2749	<b>85.4</b>	<b>2835</b>

<b>250 gr Woodleigh RNSN</b>			C.O.L.	3,583"
Norma MRP	84.0	2766	<b>88.7</b>	<b>2904</b>
Norma MRP-2	93.0	2815	<b>96.3</b>	<b>2936</b>

<b>250 gr Hornady SP</b>			C.O.L.	3,583"
Norma MRP	83.0	2763	<b>87.2</b>	<b>2884</b>
Norma MRP-2	91.0	2851	<b>94.0</b>	<b>2923</b>

<b>300 gr Woodleigh RNSN</b>			C.O.L.	3,583"
Norma MRP	79.0	2533	<b>82.5</b>	<b>2612</b>
Norma MRP-2	85.0	2556	<b>88.0</b>	<b>2638</b>

## 338-378 Weatherby Mag.

Barrel length: 26" Twist: 1-10"

Case: Norma

Primer: Winchester Magnum (WLRM)

Bullet Powder	Start Chg. Grains	Velocity Fps	Max. Chg. Grains	Velocity Fps
<b>200 gr Nosler BST</b>			C.O.L.	3,740"
Norma MRP	104.0	3123	<b>109.6</b>	<b>3389</b>

<b>200 gr Hornady SP</b>			C.O.L.	3,740"
Norma MRP	104.0	3100	<b>111.4</b>	<b>3392</b>

<b>210 gr Nosler Partition</b>			C.O.L.	3,701"
Norma MRP	102.0	3140	<b>107.6</b>	<b>3310</b>

<b>225 gr Hornady SP</b>			C.O.L.	3,720"
Norma MRP	100.0	3032	<b>105.6</b>	<b>3235</b>
Norma MRP-2	110.0	3114	<b>113.5</b>	<b>3225</b>

<b>225 gr Norma FMJ</b>			C.O.L.	3,720"
Norma MRP	100.0	3012	<b>105.8</b>	<b>3232</b>
Norma MRP-2	111.0	3159	<b>114.5</b>	<b>3284</b>

<b>250 gr Hornady RN</b>			C.O.L.	3,740"
Norma MRP	99.0	2917	<b>104.0</b>	<b>3058</b>
Norma MRP-2	109.0	2972	<b>112.5</b>	<b>3084</b>

<b>250 gr Woodleigh RNSN</b>			C.O.L.	3,740"
Norma MRP	100.0	2963	<b>103.0</b>	<b>3025</b>
Norma MRP-2	109.0	2982	<b>112.5</b>	<b>3084</b>

<b>250 gr Nosler Partition</b>			C.O.L.	3,720"
Norma MRP	96.0	2953	<b>99.0</b>	<b>3002</b>
Norma MRP-2	106.0	3009	<b>109.0</b>	<b>3077</b>

<b>250 gr Hornady SP</b>			C.O.L.	3,720"
Norma MRP	98.0	2943	<b>100.7</b>	<b>3031</b>
Norma MRP-2	106.0	2963	<b>109.3</b>	<b>3081</b>

<b>300 gr Woodleigh RNSN</b>			C.O.L.	3,740"
Norma MRP	92.0	2644	<b>95.2</b>	<b>2726</b>
Norma MRP-2	100.0	2726	<b>103.4</b>	<b>2792</b>

<b>300 gr Woodleigh FMJ</b>			C.O.L.	3,661"
Norma MRP	91.0	2638	<b>94.3</b>	<b>2723</b>
Norma MRP-2	99.0	2703	<b>102.0</b>	<b>2756</b>

## 358 Norma Magnum

Barrel length: 26" Twist: 1-12"

Case: Norma

Primer: Winchester Magnum (WLRM)

Bullet Powder	Start Chg. Grains	Velocity Fps	Max. Chg. Grains	Velocity Fps
<b>225 gr Swift A-Frame</b>			C.O.L.	3,228"
Norma 203-B	65.0	2802	<b>68.4</b>	<b>2933</b>
Norma 204	73.0	2674	<b>77.0</b>	<b>2887</b>
<b>250 gr Swift A-Frame</b>			C.O.L.	3,157"
Norma 203-B	62.0	2602	<b>65.0</b>	<b>2697</b>
Norma 204	70.0	2592	<b>73.4</b>	<b>2746</b>
<b>250 gr Hornady RN</b>			C.O.L.	3,248"
Norma 203-B	66.0	2635	<b>69.2</b>	<b>2795</b>
Norma 204	73.0	2664	<b>77.0</b>	<b>2805</b>
<b>250 gr Woodleigh RNSN</b>			C.O.L.	3,228"
Norma 203-B	66.0	2625	<b>69.3</b>	<b>2792</b>
Norma 204	73.0	2638	<b>77.0</b>	<b>2805</b>
<b>250 gr Nosler Partition</b>			C.O.L.	3,157"
Norma 203-B	64.0	2651	<b>68.0</b>	<b>2740</b>
Norma 204	71.0	2654	<b>75.3</b>	<b>2795</b>

## 9.3x57

Barrel length: 24" Twist: 1-14 $\frac{1}{6}$ "

Case: Norma

Primer: Winchester Magnum (WLRM)

Bullet Powder	Start Chg. Grains	Velocity Fps	Max. Chg. Grains	Velocity Fps
<b>232 gr Norma FMJ</b>			C.O.L.	2,992"
Norma 201	44.0	2244	<b>46.0</b>	<b>2333</b>
Norma 202	44.0	2156	<b>46.4</b>	<b>2356</b>
<b>232 gr Norma Vulkan</b>			C.O.L.	2,933"
Norma 201	44.0	2211	<b>46.9</b>	<b>2320</b>
Norma 202	47.0	2277	<b>49.1</b>	<b>2379</b>
<b>286 gr Woodleigh RNSN</b>			C.O.L.	2,972"
Norma 201	39.0	1906	<b>41.5</b>	<b>2041</b>
Norma 202	40.0	1946	<b>42.9</b>	<b>2067</b>
Norma 203-B	44.0	1942	<b>46.1</b>	<b>2067</b>
<b>286 gr Norma Alaska</b>			C.O.L.	3,012"
Norma 201	40.0	1955	<b>42.1</b>	<b>2041</b>
Norma 202	42.0	1988	<b>44.3</b>	<b>2073</b>
Norma 203-B	45.0	1929	<b>47.1</b>	<b>2073</b>
<b>286 gr Norma Oryx</b>			C.O.L.	2,933"
Norma 202	43.0	2034	<b>44.5</b>	<b>2100</b>
Norma 203-B	44.0	2008	<b>46.5</b>	<b>2093</b>

## 9.3x62

Barrel length: 24" Twist: 1-14 $\frac{1}{6}$ "

Case: Norma

Primer: Winchester Magnum (WLRM)

Bullet Powder	Start Chg. Grains	Velocity Fps	Max. Chg. Grains	Velocity Fps
<b>232 gr Norma FMJ</b>			C.O.L.	3,209"
Norma 201	55.0	2523	<b>57.9</b>	<b>2615</b>
Norma 202	57.0	2546	<b>59.9</b>	<b>2674</b>
<b>232 gr Norma Vulkan</b>			C.O.L.	3,150"
Norma 201	57.0	2549	<b>59.7</b>	<b>2690</b>
Norma 202	58.0	2536	<b>61.0</b>	<b>2690</b>
<b>286 gr Nosler Partition</b>			C.O.L.	3,228"
Norma 201	51.0	2228	<b>54.0</b>	<b>2336</b>
Norma 202	53.0	2238	<b>56.0</b>	<b>2362</b>
Norma 203-B	55.0	2297	<b>58.3</b>	<b>2402</b>
<b>286 gr Woodleigh FMJ</b>			C.O.L.	3,228"
Norma 201	50.0	2185	<b>54.0</b>	<b>2336</b>
Norma 202	53.0	2247	<b>56.0</b>	<b>2362</b>
Norma 203-B	55.0	2300	<b>58.0</b>	<b>2402</b>
<b>286 gr Woodleigh RNSN</b>			C.O.L.	3,228"
Norma 201	51.0	2247	<b>54.0</b>	<b>2333</b>
Norma 202	54.0	2267	<b>57.2</b>	<b>2392</b>
Norma 203-B	55.0	2274	<b>58.3</b>	<b>2395</b>
<b>286 gr Norma Alaska</b>			C.O.L.	3,228"
Norma 201	52.0	2251	<b>54.6</b>	<b>2333</b>
Norma 202	53.0	2224	<b>56.2</b>	<b>2365</b>
Norma 203-B	55.0	2297	<b>58.0</b>	<b>2379</b>
<b>286 gr Norma Oryx</b>			C.O.L.	3,150"
Norma 201	50.0	2205	<b>53.8</b>	<b>2336</b>
Norma 202	53.0	2231	<b>55.8</b>	<b>2362</b>
Norma 203-B	55.0	2287	<b>58.0</b>	<b>2365</b>

## 9.3x74R

Barrel length: 24" Twist: 1-141/6"

Case: Norma

Primer: Winchester Magnum (WLRM)

Bullet Powder	Start Chg. Grains	Velocity Fps	Max. Chg. Grains	Velocity Fps
<b>232 gr Norma FMJ</b>			C.O.L.	3,642"
Norma 201	52.0	2366	<b>55.5</b>	<b>2523</b>
Norma 202	58.0	2507	<b>60.8</b>	<b>2612</b>
Norma 203-B	61.0	2480	<b>64.5</b>	<b>2628</b>
<b>232 gr Norma Vulkan</b>			C.O.L.	3,642"
Norma 201	52.0	2290	<b>54.8</b>	<b>2421</b>
Norma 202	57.0	2411	<b>60.5</b>	<b>2566</b>
Norma 203-B	62.0	2507	<b>65.0</b>	<b>2618</b>
<b>286 gr Nosler Partition</b>			C.O.L.	3,681"
Norma 201	46.0	2034	<b>48.4</b>	<b>2129</b>
Norma 202	50.0	2096	<b>53.2</b>	<b>2234</b>
Norma 203-B	56.0	2169	<b>58.4</b>	<b>2336</b>
<b>286 gr Woodleigh RNSN</b>			C.O.L.	3,602"
Norma 202	52.0	2103	<b>54.6</b>	<b>2221</b>
Norma 203-B	56.0	2247	<b>58.2</b>	<b>2333</b>
<b>286 gr Norma Alaska</b>			C.O.L.	3,720"
Norma 201	48.0	2054	<b>50.8</b>	<b>2192</b>
Norma 202	53.0	2178	<b>55.6</b>	<b>2290</b>
Norma 203-B	56.0	2182	<b>58.8</b>	<b>2339</b>
<b>286 gr Norma Oryx</b>			C.O.L.	3,642"
Norma 201	48.0	2067	<b>50.8</b>	<b>2178</b>
Norma 202	53.5	2192	<b>54.4</b>	<b>2277</b>
Norma 203-B	56.0	2238	<b>57.8</b>	<b>2300</b>

## 375 Holland & Holland Magnum

Barrel length: 26" Twist: 1-12"

Case: Norma

Primer: Winchester Magnum (WLRM)

Bullet Powder	Start Chg. Grains	Velocity Fps	Max. Chg. Grains	Velocity Fps
<b>235 Woodleigh PPSN</b>			C.O.L.	3,465"
Norma 200	59.0	2608	<b>62.3</b>	<b>2835</b>
Norma 201	66.0	2779	<b>69.4</b>	<b>2881</b>
<b>270 gr Hornady SP</b>			C.O.L.	3,587"
Norma 201	63.0	2526	<b>66.0</b>	<b>2625</b>
Norma 202	66.0	2556	<b>69.4</b>	<b>2661</b>
Norma 203-B	69.0	2536	<b>72.5</b>	<b>2625</b>
<b>300 gr Hornady FMJ-RN</b>			C.O.L.	3,563"
Norma 201	59.0	2320	<b>62.0</b>	<b>2428</b>
Norma 202	63.0	2369	<b>66.0</b>	<b>2477</b>
Norma 203-B	65.0	2408	<b>68.1</b>	<b>2510</b>
<b>300 gr Hornady RN</b>			C.O.L.	3,563"
Norma 201	62.0	2435	<b>64.5</b>	<b>2520</b>
Norma 202	65.0	2474	<b>68.4</b>	<b>2562</b>
Norma 203-B	67.0	2480	<b>70.2</b>	<b>2569</b>
<b>300 gr Nosler Partition</b>			C.O.L.	3,563"
Norma 201	59.0	2408	<b>62.6</b>	<b>2448</b>
Norma 202	64.0	2382	<b>67.5</b>	<b>2487</b>
Norma 203-B	65.0	2451	<b>68.7</b>	<b>2612</b>
<b>300 gr Swift A-Frame</b>			C.O.L.	3,433"
Norma 201	59.0	2326	<b>62.5</b>	<b>2415</b>
Norma 202	63.0	2343	<b>66.3</b>	<b>2451</b>
Norma 203-B	65.0	2411	<b>68.9</b>	<b>2513</b>
<b>300 gr Barnes Solid</b>			C.O.L.	3,583"
Norma 201	60.0	2365	<b>63.5</b>	<b>2470</b>
Norma 202	65.0	2425	<b>68.5</b>	<b>2539</b>
Norma 203-B	68.0	2457	<b>71.6</b>	<b>2575</b>

## 375 Weatherby Magnum

Barrel length: 26" Twist: 1-12"

Case: Norma

Primer: Winchester Magnum (WLRM)

Bullet Powder	Start Chg. Grains	Velocity Fps	Max. Chg. Grains	Velocity Fps
<b>235 gr Woodleigh PPSN</b>			C.O.L.	3,524"
Norma 202	80.0	2904	<b>84.2</b>	<b>3097</b>
<b>270 gr Hornady SP</b>			C.O.L.	3,563"
Norma 203-B	77.0	2723	<b>81.0</b>	<b>2864</b>
<b>270 gr Woodleigh PPSN</b>			C.O.L.	3,543"
Norma 203-B	81.0	2776	<b>85.2</b>	<b>2897</b>
<b>300 gr Nosler Partition</b>			C.O.L.	3,563"
Norma 203-B	78.0	2618	<b>81.8</b>	<b>2720</b>
Norma 204	86.0	2654	<b>90.4</b>	<b>2782</b>
<b>300 gr Hornady BTSP</b>			C.O.L.	3,563"
Norma 203-B	75.0	2638	<b>79.3</b>	<b>2759</b>
Norma 204	86.0	2631	<b>90.0</b>	<b>2789</b>
<b>300 gr Hornady FMJ-RN</b>			C.O.L.	3,563"
Norma 203-B	76.0	2598	<b>80.4</b>	<b>2707</b>
Norma 204	86.5	2589	<b>89.1</b>	<b>2762</b>
<b>300 gr Hornady RN</b>			C.O.L.	3,563"
Norma 203-B	78.0	2595	<b>82.2</b>	<b>2726</b>
Norma 204	86.0	2575	<b>90.0</b>	<b>2753</b>
<b>300 gr Barnes Solid</b>			C.O.L.	3,563"
Norma 203-B	78.0	2635	<b>82.2</b>	<b>2772</b>
Norma 204	86.0	2589	<b>90.0</b>	<b>2762</b>
<b>300 gr Swift A-Frame</b>			C.O.L.	3,563"
Norma 203-B	76.0	2566	<b>79.8</b>	<b>2661</b>
Norma 204	84.0	2559	<b>88.2</b>	<b>2746</b>

## 375 Rem. Ultra Magnum

Barrel length: 26" Twist: 1-12"

Case: Remington

Primer: Winchester Magnum (WLRM)

Bullet Powder	Start Chg. Grains	Velocity Fps	Max. Chg. Grains	Velocity Fps
<b>270 gr Hornady SP</b>			C.O.L.	3,583"
Norma 204	89.0	2799	<b>93.5</b>	<b>2936</b>
<b>270 gr Woodleigh RNSN</b>			C.O.L.	3,543"
Norma 204	90.0	2779	<b>95.0</b>	<b>2953</b>
<b>300 gr Hornady RN</b>			C.O.L.	3,583"
Norma 204	90.0	2710	<b>92.8</b>	<b>2799</b>
Norma MRP	94.0	2667	<b>98.6</b>	<b>2841</b>

### 300 gr Hornady FMJ-RN

Norma 204	86.0	2654	<b>89.5</b>	<b>2749</b>
Norma MRP	90.0	2625	<b>95.2</b>	<b>2782</b>

### 300 gr Swift A-Frame

Norma 204	85.0	2641	<b>88.0</b>	<b>2720</b>
Norma MRP	90.0	2638	<b>95.2</b>	<b>2789</b>

### 300 gr Woodleigh FMJ

Norma 204	86.0	2651	<b>89.5</b>	<b>2733</b>
Norma MRP	90.0	2615	<b>95.2</b>	<b>2779</b>

### 300 gr Nosler Partition

Norma 204	85.0	2644	<b>88.5</b>	<b>2736</b>
Norma MRP	90.0	2622	<b>95.2</b>	<b>2785</b>

## 378 Weatherby Magnum

Barrel length: 26" Twist: 1-12"

Case: Norma

Primer: Winchester Magnum (WLRM)

Bullet Powder	Start Chg. Grains	Velocity Fps	Max. Chg. Grains	Velocity Fps
<b>260 gr Nosler Partition</b>			C.O.L.	3,563"
Norma MRP	108.0	2854	<b>114.2</b>	<b>3097</b>
<b>270 gr Hornady SP</b>			C.O.L.	3,622"
Norma MRP	110.0	2956	<b>116.2</b>	<b>3130</b>
<b>300 gr Hornady FMJ-RN</b>			C.O.L.	3,583"
Norma MRP	106.0	2812	<b>110.0</b>	<b>2953</b>
<b>300 gr Hornady BTSP</b>			C.O.L.	3,622"
Norma MRP	106.0	2772	<b>112.0</b>	<b>2982</b>
<b>300 gr Swift A-Frame</b>			C.O.L.	3,602"
Norma MRP	104.0	2782	<b>109.2</b>	<b>2920</b>
<b>300 gr Nosler Partition</b>			C.O.L.	3,622"
Norma MRP	104.0	2786	<b>110.0</b>	<b>2959</b>
<b>300 gr Woodleigh SPSN</b>			C.O.L.	3,622"
Norma MRP	104.0	2766	<b>110.2</b>	<b>2933</b>
<b>300 gr Woodleigh FMJ</b>			C.O.L.	3,622"
Norma MRP	104.0	2759	<b>110.0</b>	<b>2920</b>

## 416 Remington Magnum

Barrel length: 26" Twist: 1-14"

Case: Remington

Primer: Winchester Magnum (WLRM)

Bullet Powder	Start Chg. Grains	Velocity Fps	Max. Chg. Grains	Velocity Fps
<b>350 gr Swift A-Frame</b>			C.O.L.	3,563"
Norma 202	74.0	2457	<b>77.5</b>	<b>2543</b>
Norma 203-B	77.0	2474	<b>81.0</b>	<b>2592</b>
<b>400 gr Swift A-Frame</b>			C.O.L.	3,563"
Norma 202	68.0	2202	<b>73.4</b>	<b>2346</b>
Norma 203-B	74.0	2270	<b>78.3</b>	<b>2431</b>
<b>400 gr Hornady RN</b>			C.O.L.	3,563"
Norma 202	68.0	2175	<b>74.0</b>	<b>2395</b>
Norma 203-B	76.0	2333	<b>79.1</b>	<b>2451</b>
<b>410 gr Woodleigh RNSN</b>			C.O.L.	3,583"
Norma 202	70.0	2251	<b>73.8</b>	<b>2349</b>
Norma 203-B	76.0	2310	<b>79.5</b>	<b>2415</b>
<b>410 gr Woodleigh FMJ</b>			C.O.L.	3,583"
Norma 202	70.0	2241	<b>73.8</b>	<b>2343</b>
Norma 203-B	76.0	2310	<b>79.6</b>	<b>2408</b>

## 416 Rigby

Barrel length: 24" Twist: 1-16½"

Case: Norma

Primer: Winchester Magnum (WLRM)

Bullet Powder	Start Chg. Grains	Velocity Fps	Max. Chg. Grains	Velocity Fps
<b>350 gr Swift A-Frame</b>			C.O.L.	3,563"
Norma MRP	92.0	2369	<b>96.4</b>	<b>2490</b>
<b>400 gr Swift A-Frame</b>			C.O.L.	3,563"
Norma MRP	90.0	2277	<b>94.3</b>	<b>2356</b>
Norma MRP-2	102.0	2300	<b>107.5</b>	<b>2402</b>
<b>400 gr Hornady RN</b>			C.O.L.	3,602"
Norma MRP	92.0	2290	<b>97.0</b>	<b>2408</b>
Norma MRP-2	102.0	2290	<b>107.5</b>	<b>2431</b>
<b>400 gr Barnes Solid</b>			C.O.L.	3,642"
Norma MRP	94.0	2412	<b>98.7</b>	2566
Norma MRP-2	102.0	2228	<b>107.5</b>	<b>2369</b>
<b>410 gr Woodleigh RNSN</b>			C.O.L.	3,681"
Norma MRP	94.0	2228	<b>98.5</b>	<b>2402</b>
Norma MRP-2	102.0	2238	<b>107.5</b>	<b>2382</b>
<b>410 gr Woodleigh FMJ</b>			C.O.L.	3,701"
Norma MRP	92.0	2221	<b>96.5</b>	<b>2356</b>
Norma MRP-2	102.0	2329	<b>107.5</b>	<b>2415</b>

## 416 Weatherby Magnum

Barrel length: 26" Twist: 1-14"

Case: Norma

Primer: Winchester Magnum (WLRM)

Bullet Powder	Start Chg. Grains	Velocity Fps	Max. Chg. Grains	Velocity Fps
<b>350 gr Swift A-Frame</b>			C.O.L.	3,622"
Norma 204	105.0	2694	<b>109.5</b>	<b>2818</b>
Norma MRP	115.8	2822	<b>115.8</b>	<b>2822</b>
<b>400 gr Swift A-Frame</b>			C.O.L.	3,673"
Norma 204	98.0	2500	<b>103.0</b>	<b>2638</b>
Norma MRP	112.0	2726	<b>112.0</b>	<b>2726</b>
<b>400 gr Hornady RN</b>			C.O.L.	3,740"
Norma 204	101.0	2549	<b>105.5</b>	<b>2677</b>
Norma MRP	115.8	2782	<b>115.8</b>	<b>2782</b>
<b>410 gr Woodleigh FMJ</b>			C.O.L.	3,720"
Norma 204	98.0	2454	<b>103.6</b>	<b>2595</b>
Norma MRP	113.0	2674	<b>113.0</b>	<b>2674</b>

## 404 Jeffery

Barrel length: 24" Twist: 1-16½"

Case: Norma

Primer: Winchester Magnum (WLRM)

Bullet Powder	Start Chg. Grains	Velocity Fps	Max. Chg. Grains	Velocity Fps
<b>400 gr Woodleigh RNSN</b>			C.O.L.	3,524"
Norma MRP-2	96.4	2277	<b>96.4</b>	<b>2277</b>
<b>400 gr Woodleigh FMJ</b>			C.O.L.	3,504"
Norma MRP-2	96.4	2343	<b>96.4</b>	<b>2343</b>

## 45-70 Government

Barrel length: 24" Twist: 1-20"

Case: Norma

Primer: Winchester Magnum (WLRM)

Bullet Powder	Start Chg. Grains	Velocity Fps	Max. Chg. Grains	Velocity Fps
---------------	-------------------	--------------	------------------	--------------

### 29,000 psi

**300 gr Hornady HP** C.O.L. 2,539"

Norma 200 50.0 1909 **53.0** **2018**

Norma 201 53.0 1821 **55.0** **1896**

Norma MRP-2 62.2 1056 **62.2** **1056**

**350 gr Hornady RN** C.O.L. 2,539"

Norma 200 44.0 1719 **46.0** **1808**

Norma 201 48.0 1696 **50.0** **1762**

**500 gr Hornady RN** C.O.L. 2,933"

Norma 200 36.0 1325 **37.0** **1385**

Norma 201 43.0 1401 **43.0** **1401**

Norma MRP-2 59.6 1181 **59.6** **1181**

### 43,500 psi

**300 gr Hornady HP** C.O.L. 2,539"

Norma 200 58.0 2218 **60.0** **2290**

Norma 201 60.0 2047 **63.0** **2182**

**350 gr Hornady RN** C.O.L. 2,539"

Norma 200 50.0 1909 **55.0** **2116**

Norma 201 54.0 1916 **59.0** **2083**

### 58,000 psi

**500 gr Hornady RN** C.O.L. 2,933"

Norma 200 44.0 1598 **50.0** **1798**

Norma 201 51.0 1686 **55.0** **1811**

## 458 Winchester Magnum

Barrel length: 24" Twist: 1-14"

Case: Norma

Primer: Winchester Magnum (WLRM)

Bullet Powder	Start Chg. Grains	Velocity Fps	Max. Chg. Grains	Velocity Fps
---------------	-------------------	--------------	------------------	--------------

**350 gr Hornady RN** C.O.L. 2,933"

Norma 200 70.0 2500 **73.9** **2595**

**400 gr Swift A-Frame FN** C.O.L. 3,327"

Norma 201 73.0 2257 **77.5** **2388**

**450 gr Swift A-Frame** C.O.L. 3,327"

Norma 201 71.0 2169 **75.0** **2270**

Norma 202 70.0 2067 **74.6** **2185**

**480 gr Woodleigh FMJ** C.O.L. 3,268"

Norma 201 67.0 2047 **71.0** **2152**

Norma 202 68.0 2001 **72.3** **2126**

**480 gr Woodleigh RNSN** C.O.L. 3,169"

Norma 201 68.0 2057 **71.7** **2152**

Norma 202 70.0 2044 **73.4** **2149**

**500 gr Hornady FMJ-RN** C.O.L. 3,327"

Norma 201 68.0 2064 **71.5** **2133**

Norma 202 68.0 1995 **72.0** **2087**

**500 gr Hornady RN** C.O.L. 3,327"

Norma 201 70.0 2028 **73.5** **2175**

Norma 202 70.0 2014 **74.5** **2172**

**500 gr Swift A-Frame** C.O.L. 3,327"

Norma 201 66.0 2001 **69.0** **2073**

Norma 202 68.0 1985 **72.1** **2100**

## 460 Weatherby Magnum

Barrel length: 26" Twist: 1-16"

Case: Norma

Primer: Winchester Magnum (WLRM)

Bullet Powder	Start Chg. Grains	Velocity Fps	Max. Chg. Grains	Velocity Fps
---------------	-------------------	--------------	------------------	--------------

**350 gr Hornady RN** C.O.L. 3,406"

Norma 203-B 114.0 2802 **119.8** **2956**

**450 gr Swift A-Frame** C.O.L. 3,720"

Norma 204 112.0 2513 **117.8** **2648**

**480 gr Woodleigh FMJ** C.O.L. 3,602"

Norma 204 109.0 2448 **115.7** **2549**

**480 gr Woodleigh RNSN** C.O.L. 3,602"

Norma 204 109.0 2464 **115.2** **2559**

**500 gr Hornady RN** C.O.L. 3,709"

Norma 204 109.0 2379 **115.3** **2526**



## 470 Nitro Express

Barrel length: 26" Twist: 1-21"

Case: Norma

Primer: Winchester Magnum (WLRM)

Bullet Powder	Start Chg. Grains	Velocity Fps	Max. Chg. Grains	Velocity Fps
<b>500 gr Woodleigh FMJ</b>			C.O.L.	3,839"
Norma 203-B	87.7	2182	<b>87.7</b>	<b>2182</b>
Norma MRP	105.7	2077	<b>105.7</b>	<b>2077</b>
Norma MRP-2	123.0	2152	<b>123.0</b>	<b>2152</b>
<b>500 gr Woodleigh RNSN</b>			C.O.L.	3,839"
Norma 203-B	88.0	2087	<b>88.0</b>	<b>2087</b>
Norma MRP	106.0	2011	<b>106.0</b>	<b>2011</b>
Norma MRP-2	128.0	2201	<b>128.0</b>	<b>2201</b>

## 505 Gibbs

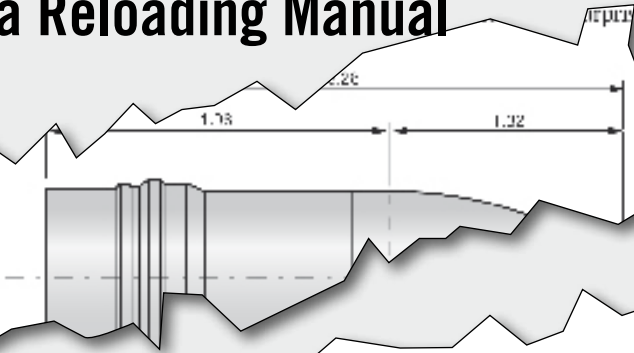
Barrel length: 26" Twist: 1-16"

Case: Norma

Primer: Winchester Magnum (WLRM)

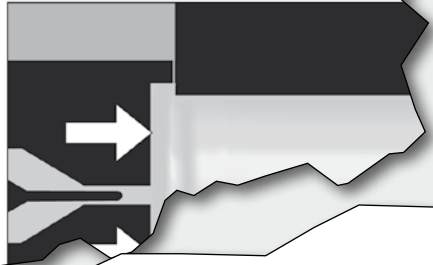
Bullet Powder	Start Chg. Grains	Velocity Fps	Max. Chg. Grains	Velocity Fps
<b>525 gr Woodleigh FMJ</b>			C.O.L.	3,819"
Norma MRP-2	140.4	2277	<b>140.4</b>	<b>2277</b>
<b>525 gr Woodleigh RNSN</b>			C.O.L.	3,819"
Norma MRP-2	153.0	2415	<b>153.0</b>	<b>2415</b>

# Outtakes from Norma Reloading Manual



...with a different head-spacing system; the rimmed case. When the primer in this case is struck by the firing pin (pic. 8), the case itself cannot move forward appreciably because it is the rim and not the shoulder which stops its forward movement and thus positions it in the chamber.

As the primer is struck by the firing pin, the pressure



PRESSURE

THIN GRAINS

MEDIUM GRAINS

THICK GRAINS

...the... to me...  
the... of the...  
community. 25 years later it was  
only firing that Norma kindled  
the interest of the public to con-  
tinue reloading and on the same  
line find new customers for the  
Norma base pistol Norma's  
Nils Karić designed a simple  
ragged loading tool which was  
also manufactured at Norma.  
Soon demand could no longer



# Choose the right hunting bullet!



## Norma Match Grade Brass

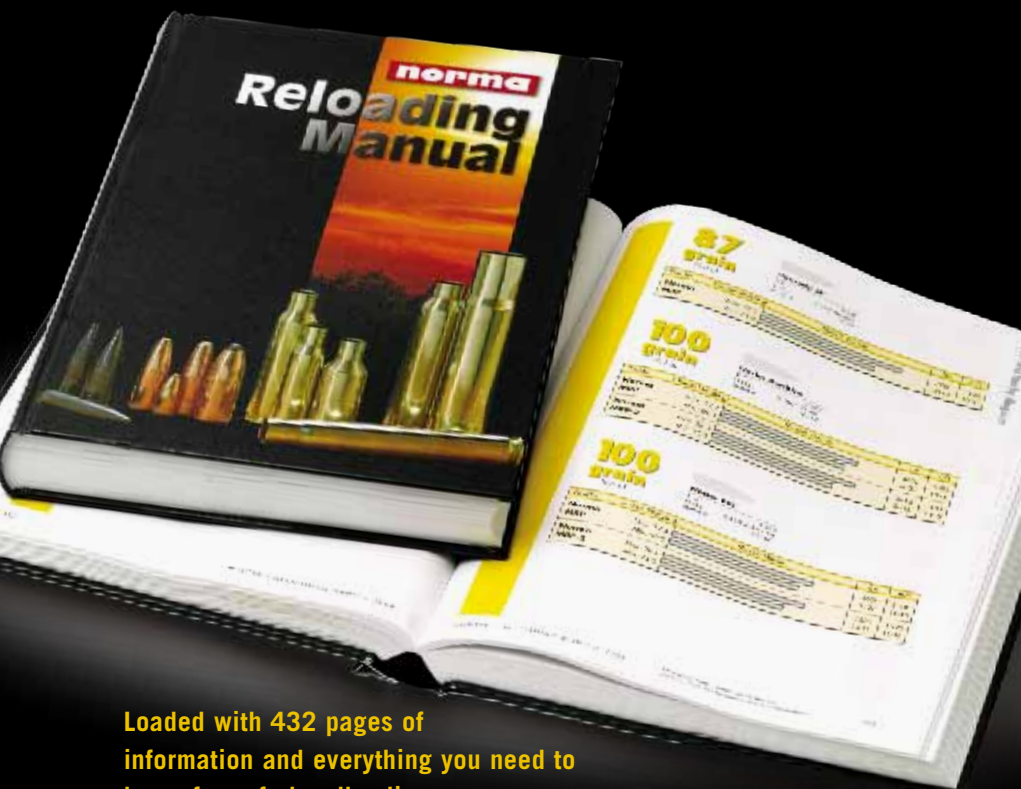
220 Swift  
 222 Rem.  
 223 Rem.  
 22-250 Rem.  
 243 Win.  
 6mm Norma BR  
 6,5-284 Norma  
 6,5 Jap.  
 6,5 Carcano  
 6,5x55  
 270 Win.  
 270 WSM  
 7mm-08 Rem.

7x57  
 7x57 R  
 7x64  
 7x65 R  
 7mm Rem. Mag.  
 280 Rem.  
 7,5x55 Swiss  
 300 WSM  
 308 Win.  
 7,62 Russian  
 308 Norma Mag.  
 30-06  
 300 Win. Mag.  
 7,65 Arg.  
 7,7 Jap

8x57 JS  
 8x57 JRS  
 338 Win. Mag.  
 338 Lapua Mag.  
 358 Norma Mag.  
 9,3x57  
 9,3x62  
 9,3x74 R  
 375 H&H Mag.  
 404 Jefferey  
 416 Rigby  
 45 Basic  
 458 Win.  
 458 Lott  
 470 Nitro Express



# NORMA'S RELOADING MANUAL



**Loaded with 432 pages of information and everything you need to know for safe handloading.**

In addition to loading data for 73 calibers from the 222 Rem to the 505 Gibbs, you'll find informative chapters on powder, detonators, and ballistics written by leading experts in the field.

For each caliber, there is information on dimensions according to the CIP standard and a full description of the cartridge's background and its fields of application. Plus, information on barrel length and correct rate of twist for the cartridge type. Order it from your local hunting store!

**norma**

Norma Precision AB

SE-670 40 Åmotfors, Sweden

Phone +46 571-315 00 • [www.norma.cc](http://www.norma.cc)